



COLD
ENGINEERING
TECFRIGO

ISOLA BAIN-MARIE

MOBILE BAIN-MARIE



FEATURES INCLUDE:

Dark walnut trim
Stainless steel internal bain-marie
Overhead heat lamps
Motorised overhead perspex canopy

Castor wheels
Stainless steel tray race (optional)
Suitable for a variety of gastronomic pans

BAKER

REFRIGERATION

Visit our website www.ajbaker.com.au or email us at email@ajbaker.com.au

Image used for illustration only.

ISOLA BAIN-MARIE

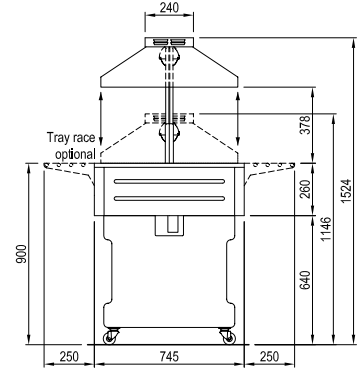
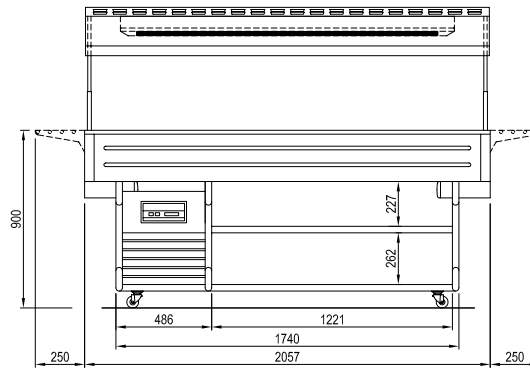
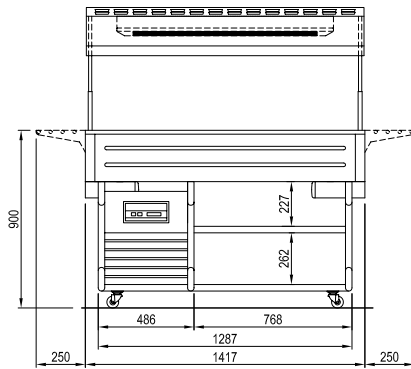
MOBILE BAIN-MARIE



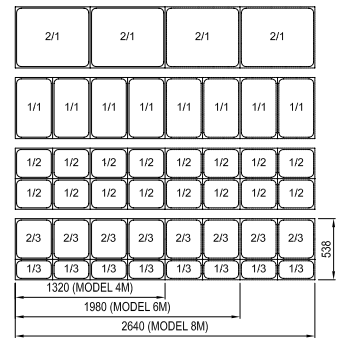
COLD
ENGINEERING
TECFRIGO

Isola 4M Bain-Marie

Isola 6M Bain-Marie



GASTRONORM PANS



ISOLA BAIN-MARIE	4M	6M
Operating Temp (°C)	+30/+90	+30/+90
Power Supply	230V/1Ph/20 Amp plug	400V/3Ph/hard wire
Operating Current (Amp)	15.3	11.0
Nominal Power (W)	3500	4400
Energy Consumption (kWh/24h)	63	79.2
Gastronorm pans (max height 150mm)	1/4, 1/3, 1/2 2/3, 1/1, 2/1	1/4, 1/3, 1/2 2/3, 1/1, 2/1
Length (mm)	1420	2060
Height incl. castors (mm)	1524	1524
Depth incl. bumper (mm)	750	750
Weight w/o packaging (kg)	122	131

Gastronorm pans not included