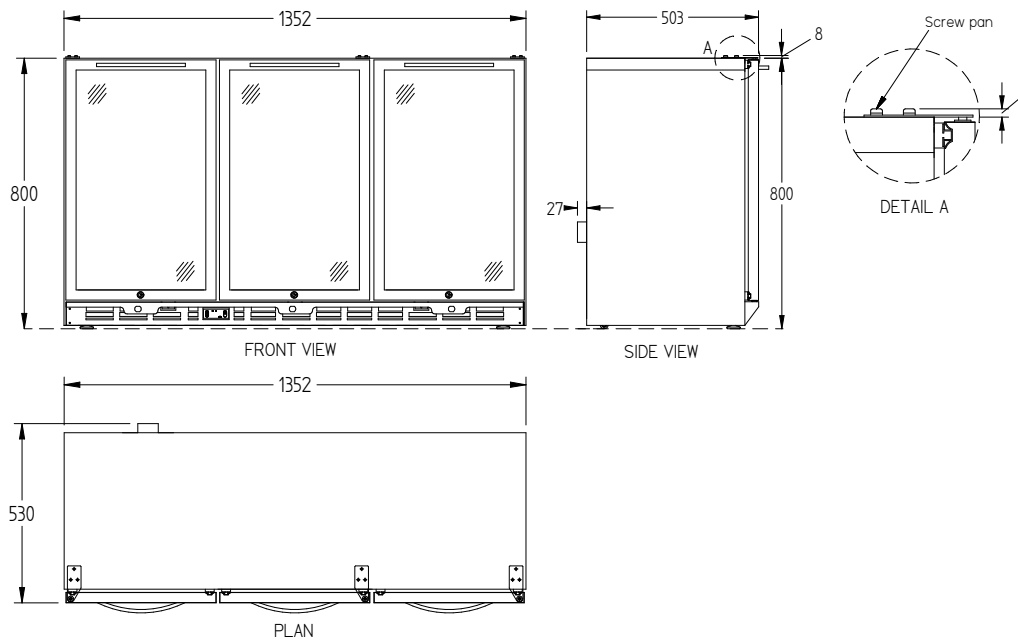


BC3SS-80



CATEGORY	GENERAL COUNTERS & BACK BARS
RANGE	Bottle cooler
UNIT	REFRIGERATOR
TYPE	SELF CONTAINED
DOORS	3



SPECIFICATIONS

CAPACITY LITRES	575
TEMPERATURE	4°C / 10°C
DIMENSIONS - W X D X H MM	1352 W x 530 D x 800 H
WEIGHT UNPACKED (KG)	120
DOOR TYPE	Standard: GD (Glass Door)
FINISH (INTERIOR AND EXTERIOR EXCLUDING REAR AND UNDER)	SS (Stainless Steel)
SHELVES/DOOR	2
ELECTRICAL	
POWER SUPPLY	10 amp
POWER CABLE LENGTH (METRES)	2
RUNNING AMPS	2.4
GAS TYPE	
REFRIGERANT	R134a

*** For **OPTIONS** refer to the current Williams Price Guide