

# C4AB9 COUNTER SERIES

HEATED COUNTER TOP FOOD  
DISPLAY CABINET



## PRODUCT FEATURES

- Sliding doors front and rear
- Circulation fan in ceiling
- Single glazed
- Three adjustable shelves
- Ticket strips on shelves and deck
- Undershelf and canopy LED lights
- Solid glass front available

## Ambient

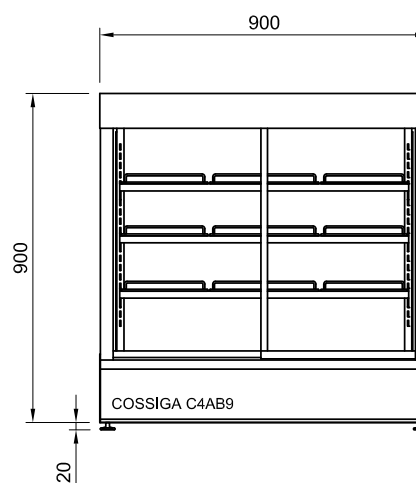
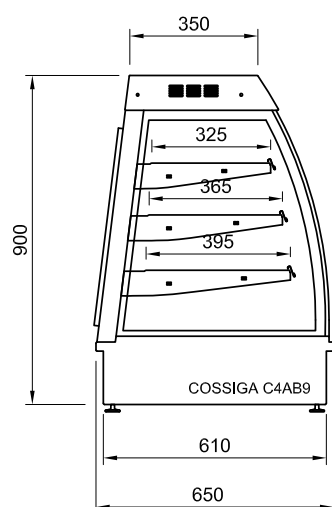
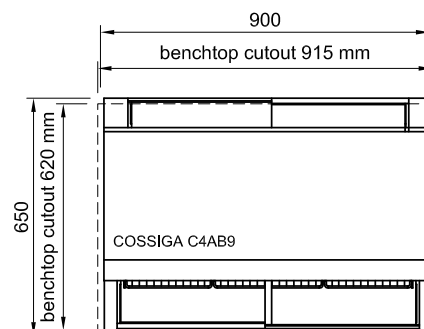
### CABINET DIMENSIONS & SPECIFICATIONS

Model	Cabinet			Shelving no.	Display m <sup>2</sup>	Operating Current	Connection	Voltage
	Length mm	Depth mm	Height mm					
C4AB9	900	650	920	3 + base	1.92	1.21 Amp	10amp 3 pin plug	50/60 Hertz 240V

\* prior to installation see, installation guidelines, ventillation requirements and drainage options documents

### ELECTRICAL POWER

Electrical power cord 1500mm  
10 amp 3 pin plug



# C4AB12 COUNTER SERIES

HEATED COUNTER TOP FOOD  
DISPLAY CABINET



## PRODUCT FEATURES

- Sliding doors front and rear
- Circulation fan in ceiling
- Single glazed
- Three adjustable shelves
- Ticket strips on shelves and deck
- Undershelf and canopy LED lights
- Solid glass front available

## Ambient

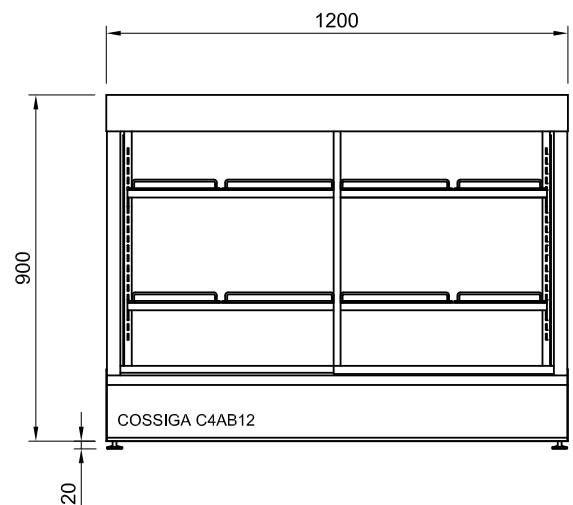
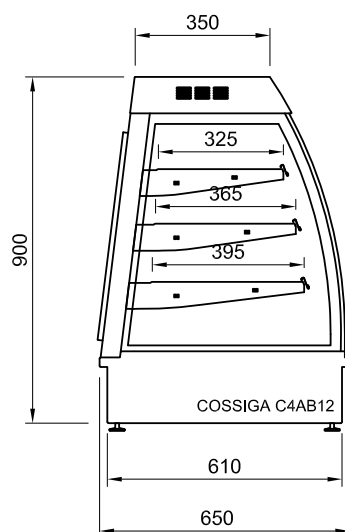
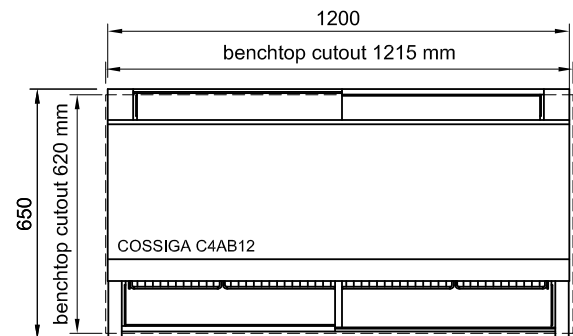
### CABINET DIMENSIONS & SPECIFICATIONS

Model	Cabinet			Shelving no.	Display m <sup>2</sup>	Operating Current	Connection	Voltage
	Length mm	Depth mm	Height mm					
C4AB12	1200	650	920	3 + base	1.66	0.7Amp	10amp 3 pin plug	50/60 Hertz 240V

\* prior to installation see, installation guidelines, ventillation requirements and drainage options documents

### ELECTRICAL POWER

Electrical power cord 1500mm  
10 amp 3 pin plug



# C4HT6 COUNTER SERIES

HEATED COUNTER TOP FOOD  
DISPLAY CABINET



## PRODUCT FEATURES

- Sliding doors front and rear
- Deck forced heating
- Single glazed
- Three adjustable shelves
- Ticket strips on shelves and deck
- Undershelf and canopy LED lights
- Solid glass front available

## CABINET DIMENSIONS & SPECIFICATIONS

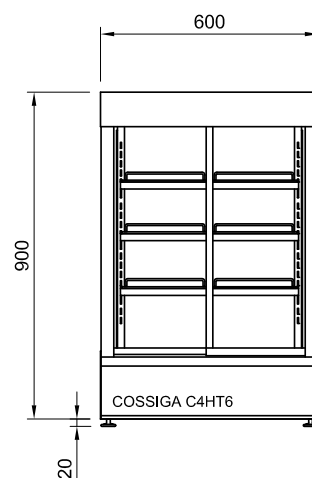
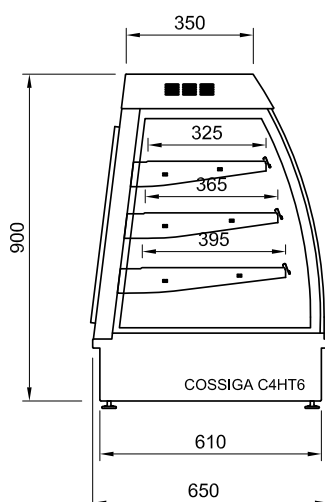
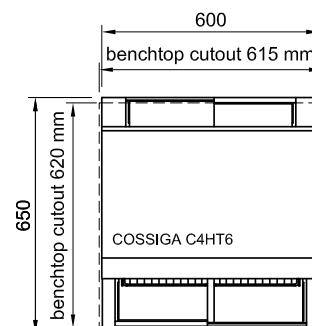
 Heated 75° factory set point

Model	Cabinet			Shelving no.	Display m <sup>2</sup>	Operating Current	Connection	Voltage
	Length mm	Depth mm	Height mm					
C4HT6	600	650	920	3 + base	0.76	4.6Amp	10amp 3 pin plug	50/60 Hertz 240V

\* prior to installation see, installation guidelines, ventillation requirements and drainage options documents

## ELECTRICAL POWER

Electrical power cord 1500mm  
10 amp 3 pin plug



# C4HT9 COUNTER SERIES

HEATED COUNTER TOP FOOD  
DISPLAY CABINET



## PRODUCT FEATURES

- Sliding doors front and rear
- Deck forced heating
- Single glazed
- Three adjustable shelves
- Ticket strips on shelves and deck
- Undershelf and canopy LED lights
- Solid glass front available

 Heated 75<sup>o</sup> factory set point

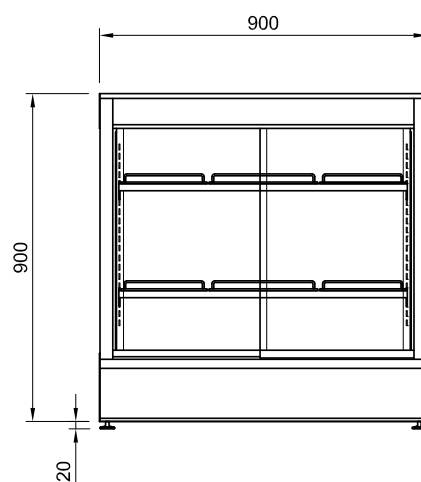
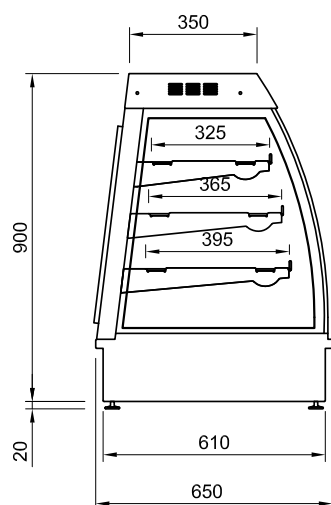
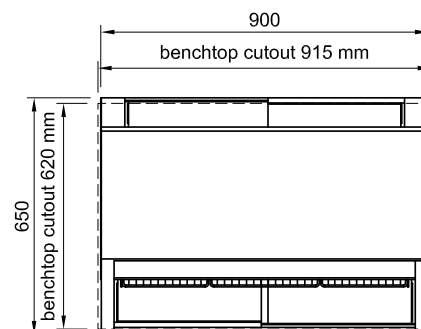
## CABINET DIMENSIONS & SPECIFICATIONS

Model	Cabinet			Shelving no.	Display m <sup>2</sup>	Operating Current	Connection	Voltage
	Length mm	Depth mm	Height mm					
C4HT9	900	650	920	3 + base	1.21	6.2 Amp	10amp 3 pin plug	50/60 Hertz 240V

\* prior to installation see, installation guidelines, ventillation requirements and drainage options documents

## ELECTRICAL POWER

Electrical power cord 1500mm  
10 amp 3 pin plug



# C4HT12 COUNTER SERIES

HEATED COUNTER TOP FOOD  
DISPLAY CABINET



## PRODUCT FEATURES

- Sliding doors front and rear
- Deck forced heating
- Single glazed
- Three adjustable shelves
- Ticket strips on shelves and deck
- Undershelf and canopy LED lights
- Solid glass front available



Heated 75<sup>0</sup> factory set point

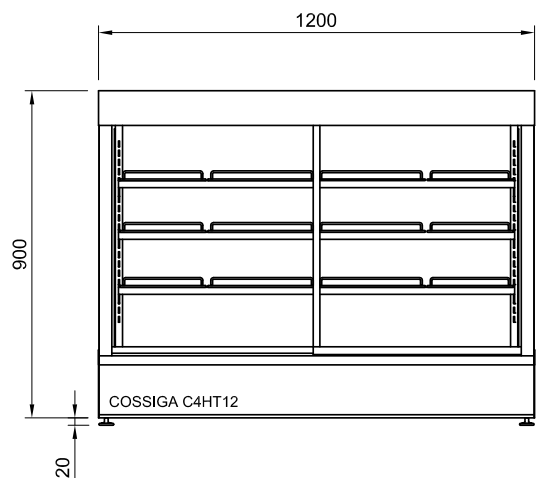
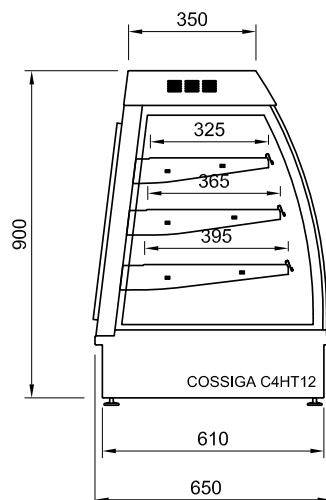
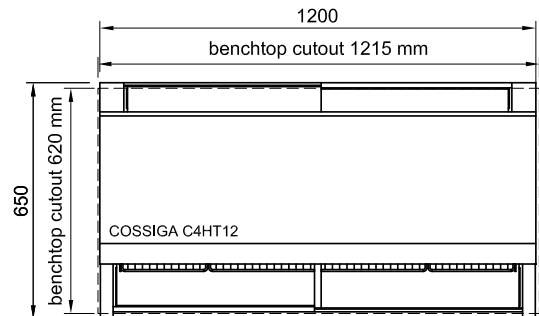
## CABINET DIMENSIONS & SPECIFICATIONS

Model	Cabinet			Shelving no.	Display m <sup>2</sup>	Operating Current	Connection	Voltage
	Length mm	Depth mm	Height mm					
C4HT12	1200	650	920	3 + base	1.66	7.7Amp	10amp 3 pin plug	50/60 Hertz 240V

\* prior to installation see, installation guidelines, ventillation requirements and drainage options documents

## ELECTRICAL POWER

Electrical power cord 1500mm  
10 amp 3 pin plug



# C4RF6 COUNTER SERIES

REFRIGERATED COUNTER TOP FOOD  
DISPLAY CABINET



## PRODUCT FEATURES

- Sliding doors front and rear
- Deck forced refrigeration
- Double glazed glass
- Two adjustable shelves
- Ticket strips on shelves and deck
- Undershelf and canopy LED lights
- Integral condenser
- Solid glass front available

 Refrigerated 4° factory set point

## CABINET DIMENSIONS & SPECIFICATIONS

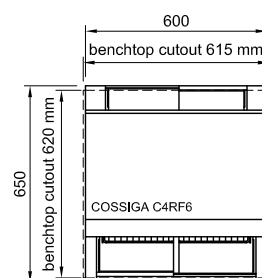
Model	Cabinet			Shelving no.	Display m <sup>2</sup>	Refrigerant	Operating Current	Connection	Voltage
	Length mm	Depth mm	Height mm						
C4RF6	600	650	920	2 + base	0.58	R404A	4.7Amp	10amp 3 pin plug	50/60 Hertz 240V

\* prior to installation see, installation guidelines, ventillation requirements and drainage options documents

## CONDENSATE DRAINAGE

55 mm Stainless steel spigot to plastic flexible waste pipe  
15mm dia. 1000 mm length.

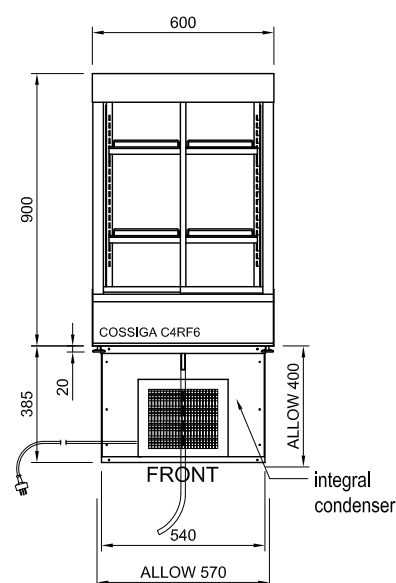
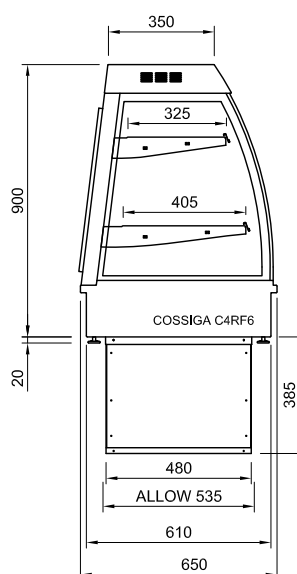
Drain pipe position central as shown the flexible pipe has  
clearance over the compressor and can lead out to the left  
or right.



## ELECTRICAL POWER

Electrical power cord 1500mm  
3 pin 10 amp 1 phase socket  
required. 240V

Maximum ambient operating  
conditions 25°C / 60%  
Relative Humidity.



# C4RF9 COUNTER SERIES

REFRIGERATED COUNTER TOP FOOD  
DISPLAY CABINET



## PRODUCT FEATURES

- Sliding doors front and rear
- Deck forced refrigeration
- Double glazed glass
- Two adjustable shelves
- Ticket strips on shelves and deck
- Undershelf and canopy LED lights
- Integral condenser
- Solid glass front available

 Refrigerated 4° factory set point

## CABINET DIMENSIONS & SPECIFICATIONS

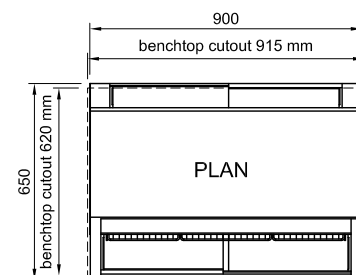
Model	Cabinet			Shelving no.	Display m <sup>2</sup>	Refrigerant	Operating Current	Connection	Voltage
	Length mm	Depth mm	Height mm						
C4RF9	900	650	920	2 + base	0.93	R404A	5.0Amp	10amp 3 pin plug	240V

\* prior to installation see, installation guidelines, ventillation requirements and drainage options documents

## CONDENSATE DRAINAGE

55 mm Stainless steel spigot to plastic flexible waste pipe  
15mm dia. 1000 mm length.

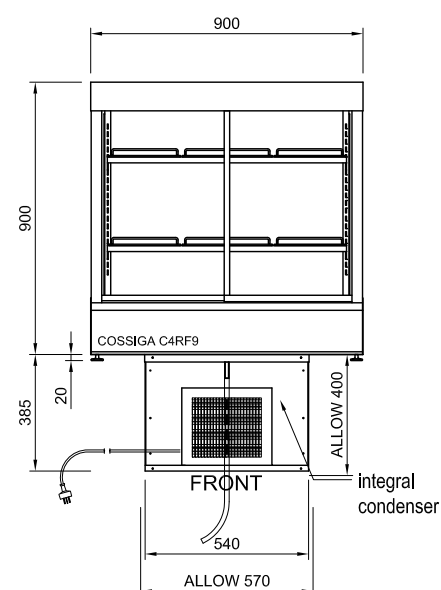
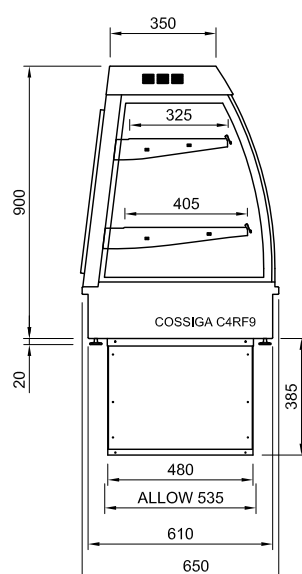
Drain pipe position central as shown the flexible pipe has clearance over the compressor and can lead out to the left or right.



## ELECTRICAL POWER

Electrical power cord 1500mm  
3 pin 10 amp 1 phase socket  
required. 240V

Maximum ambient operating  
conditions 25°C / 60%  
Relative Humidity.



# C4RF12 COUNTER SERIES

REFRIGERATED COUNTER TOP FOOD  
DISPLAY CABINET



## PRODUCT FEATURES

- Sliding doors front and rear
- Deck forced refrigeration
- Double glazed glass
- Two adjustable shelves
- Ticket strips on shelves and deck
- Undershelf and canopy LED lights
- Integral condenser
- Solid glass front available



Refrigerated 4<sup>o</sup> factory set point

## CABINET DIMENSIONS & SPECIFICATIONS

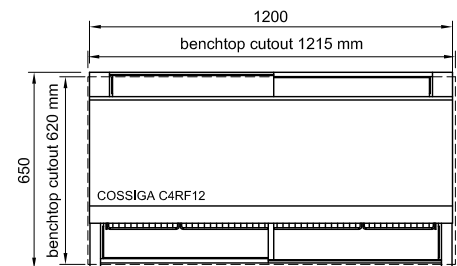
Model	Cabinet			Shelving no.	Display m <sup>2</sup>	Refrigerant	Operating Current	Connection	Voltage
	Length mm	Depth mm	Height mm						
C4RF12	1200	650	920	2 + base	1.27	R404A	6.8Amp	10amp 3 pin plug	50/60 Hertz 240V

\* prior to installation see, installation guidelines, ventillation requirements and drainage options documents

## CONDENSATE DRAINAGE

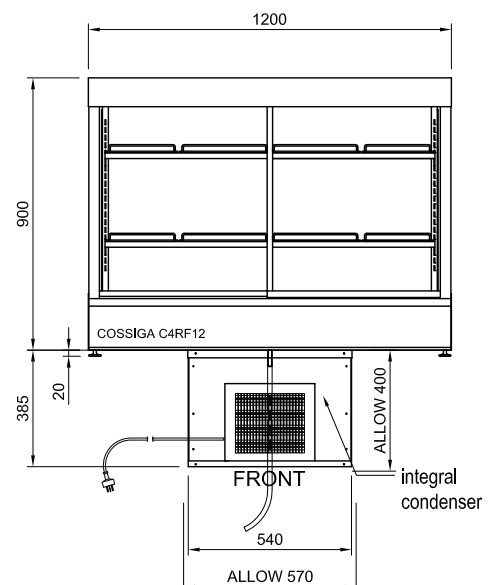
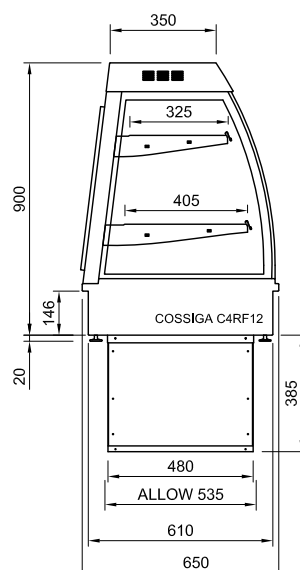
55 mm Stainless steel spigot to plastic flexible waste pipe  
15mm dia. 1000 mm length.

Drain pipe position central as shown the flexible pipe has  
clearance over the compressor and can lead out to the left  
or right.



## ELECTRICAL POWER

Electrical power cord 1500mm  
3 pin 10 amp 1 phase socket  
required. 240V  
Maximum ambient operating  
conditions 25°C / 60%  
Relative Humidity.





# C4RF15 COUNTER SERIES

REFRIGERATED COUNTER TOP FOOD  
DISPLAY CABINET



## PRODUCT FEATURES

- Sliding doors front and rear
- Deck forced refrigeration
- Double glazed glass
- Two adjustable shelves
- Ticket strips on shelves and deck
- Undershelf and canopy LED lights
- Integral condenser
- Solid glass front available



Refrigerated 4° factory set point

## CABINET DIMENSIONS & SPECIFICATIONS

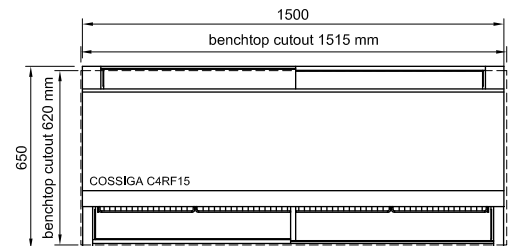
Model	Cabinet			Shelving no.	Display m <sup>2</sup>	Refrigerant	Operating Current	Connection	Voltage
	Length mm	Depth mm	Height mm						
C4RF15	1500	650	920	2 + base	1.61	R404A	7.0Amp	10amp 3 pin plug	50/60 Hertz 240V

\* prior to installation see, installation guidelines, ventillation requirements and drainage options documents

## CONDENSATE DRAINAGE

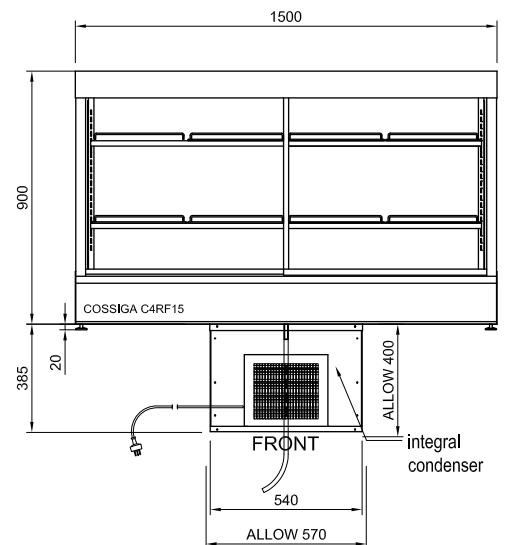
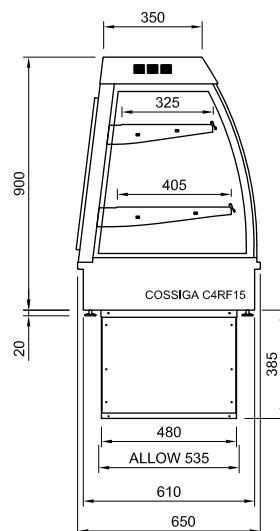
55 mm Stainless steel spigot to plastic flexible waste pipe 15mm dia. 1000 mm length.

Drain pipe position central as shown the flexible pipe has clearance over the compressor and can lead out to the left or right.



## ELECTRICAL POWER

Electrical power cord 1500mm  
3 pin 10 amp 1 phase socket  
required. 240V  
Maximum ambient operating  
conditions 25°C / 60%  
Relative Humidity.



# C4BM9 COUNTER SERIES

HEATED COUNTER TOP FOOD  
DISPLAY CABINET



## PRODUCT FEATURES

- Solid glass front
- Sliding glass rear doors
- Overhead halogen bulbs
- Wet element in base
- Single glazed glass
- Full size pans 65mm deep included (excluding lids)

 Heated 75° factory set point

## CABINET DIMENSIONS & SPECIFICATIONS

Model	Cabinet			Shelving no.	Operating Current	Connection	Voltage
	Length mm	Depth mm	Height mm				
C4BM9	900	650	920	2 x 1/1 - 65mm Gastro Pans	9.9 Amp	15 amp 3 pin plug	50/60 Hertz 240V

\* prior to installation see, installation guidelines, ventilation requirements and drainage options documents

## ELECTRICAL POWER

Electrical power cord 1500mm

BM9 = 15 amp 1 phase lead only

BM12 = 15 amp 1 phase lead only

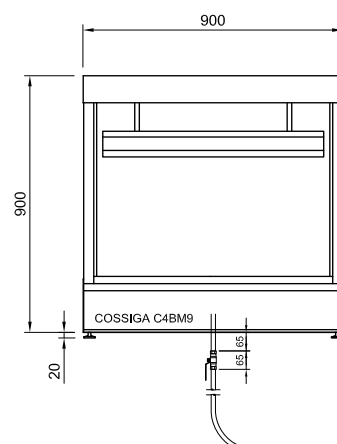
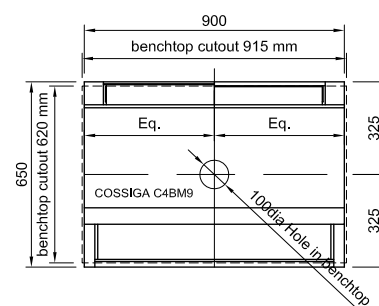
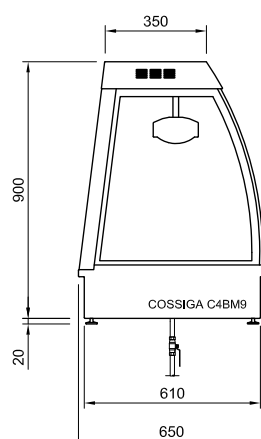
BM15 = 20 amp 1 phase lead only

Lead only units require an electrician for site installation. We recommend an isolation switch, positioned so user can switch off the unit for cleaning and servicing.

## DRAINAGE

Drain pipe centred below unit  
Screw on stop cock valve to flexible hose

Water filled manually



# C4BM12 COUNTER SERIES

HEATED COUNTER TOP FOOD  
DISPLAY CABINET



## PRODUCT FEATURES

- Solid glass front
- Sliding glass rear doors
- Overhead halogen bulbs
- Wet element in base
- Single glazed glass
- Full size pans 65mm deep included (excluding lids)

 Heated 75° factory set point

## CABINET DIMENSIONS & SPECIFICATIONS

Model	Cabinet			Shelving no.	Operating Current	Connection	Voltage
	Length mm	Depth mm	Height mm				
C4BM12	1200	650	920	3 x 1/1 - 65mm Gastro Pans	11 Amp	15 amp lead only	50/60 Hertz 240V

\* prior to installation see, installation guidelines, ventilation requirements and drainage options documents

## ELECTRICAL POWER

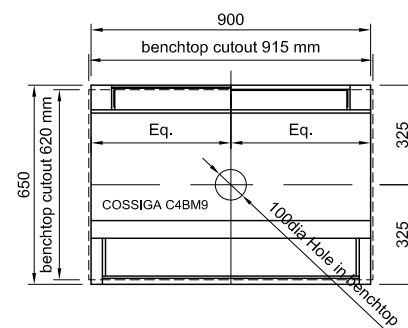
Electrical power cord 1500mm

BM9 = 15 amp 1 phase lead only

BM12 = 15 amp 1 phase lead only

BM15 = 20 amp 1 phase lead only

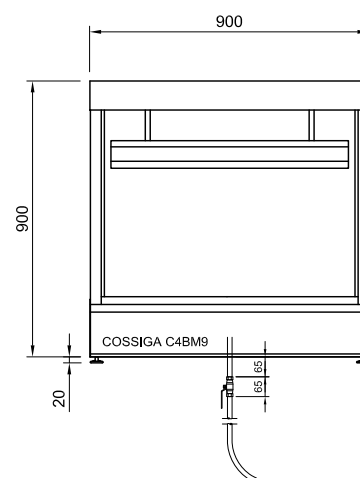
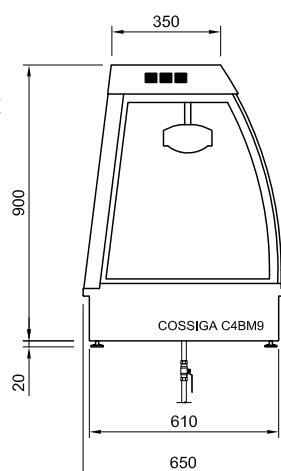
Lead only units require an electrician for site installation. We recommend an isolation switch, positioned so user can switch off the unit for cleaning and servicing.



## DRAINAGE

Drain pipe centred below unit  
Screw on stop cock valve to flexible hose

Water filled manually



# C4BM15 COUNTER SERIES

HEATED COUNTER TOP FOOD  
DISPLAY CABINET



## PRODUCT FEATURES

- Solid glass front
- Sliding glass rear doors
- Overhead halogen bulbs
- Wet element in base
- Single glazed glass
- Full size pans 65mm deep included (excluding lids)

 Heated 75° factory set point

## CABINET DIMENSIONS & SPECIFICATIONS

Model	Cabinet			Shelving no.	Operating Current	Connection	Voltage
	Length mm	Depth mm	Height mm				
C4BM15	1500	650	920	4 x 1/1 - 65mm Gastro Pans	15 Amp	20 amp lead only	50/60 Hertz 240V

\* prior to installation see, installation guidelines, ventilation requirements and drainage options documents

## ELECTRICAL POWER

Electrical power cord 1500mm

BM9 = 15 amp 1 phase lead only

BM12 = 15 amp 1 phase lead only

BM15 = 20 amp 1 phase lead only

Lead only units require an electrician for site installation. We recommend an isolation switch, positioned so user can switch off the unit for cleaning and servicing.

## DRAINAGE

Drain pipe centred below unit  
Screw on stop cock valve to flexible hose

Water filled manually

