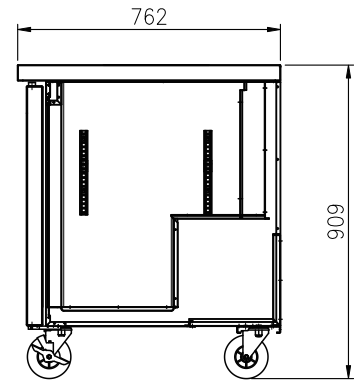
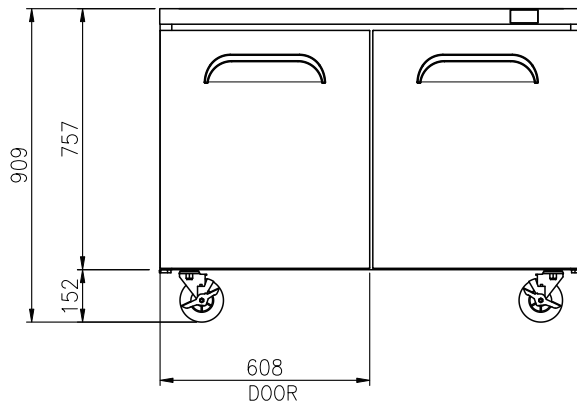
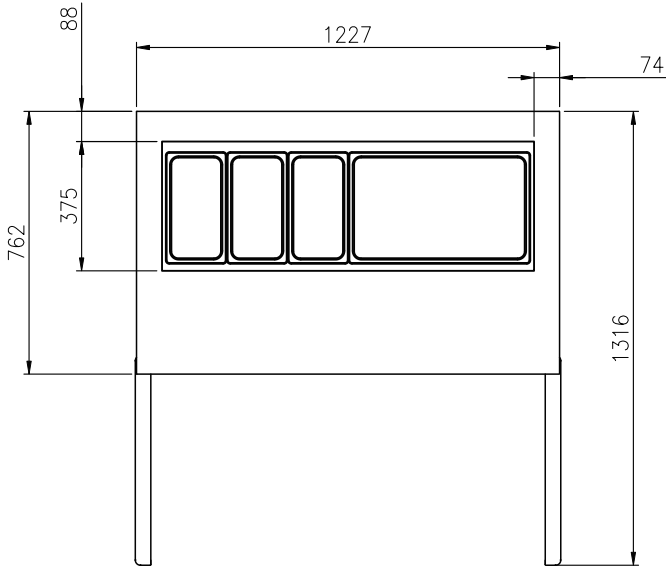


SLIDE TOP PREP TABLE

FST-48



FEATURES

- Auto-closing doors & stopper
- 8mm polycarbonate made transparent slides
- Stainless steel finished front, sides and doors
- Locking dividers
- PE coated sturdy wire shelf
- Rear-mount compressor for enhanced airflow
- Airflow over the pans
- 5" casters (brakes at front)
- Accommodates 15cm deep pan (* pans are optional)

TEMPERATURE

- 0°C ~ 5°C

OPTIONAL MODELS

- 3" or 4" casters

Model	Capacity (l)	Exterior Dimension (mm)			Net Weight (kg)	Gross Weight (kg)	Power Supply	Amps	Voltage (V/Hz/Ø)	Watt	HP	Refrigerant	No. Slide	No. Door	No. Pans (1/6")
		W	D	H											
FST-48	346	1,227	762	909	106	114	10A	3.2	240/50/1	340	3/8	R-134a	2	2	12

* Exterior height includes 5" for caster or leg height.
 * Design and specifications subject to change without notice
 * Actual shipping weight may differ due to extra packing materials for product protection.