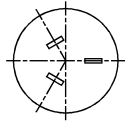
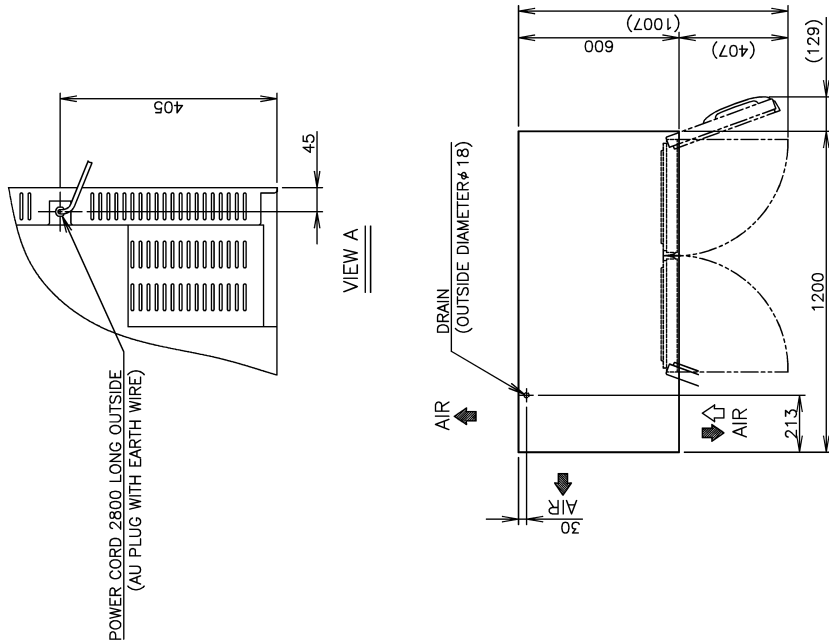
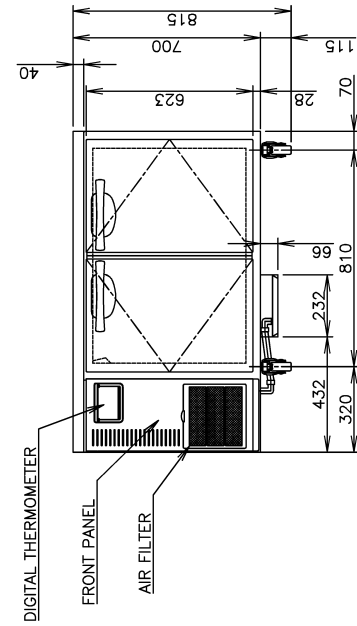
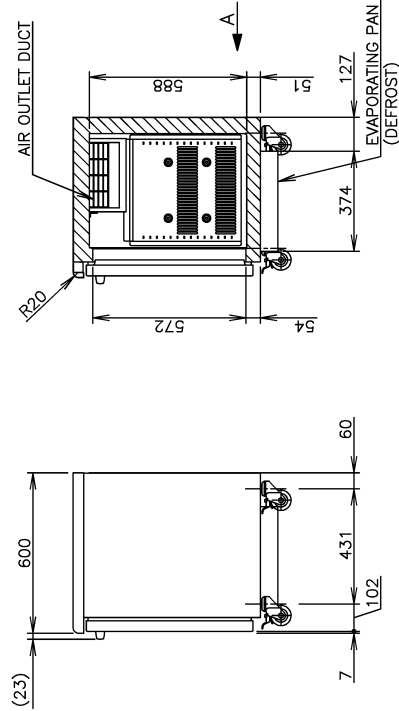
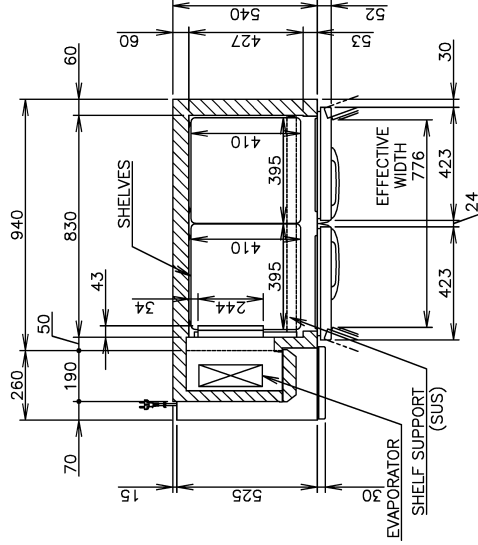


HOSHIZAKI

*Customized
ML Door



AU PLUG



ITEM	Hoshizaki Undercounter Freezer
MODEL	FTC-120SNA-ML
POWER SUPPLY	1 Phase 220-240V 50Hz Capacity: 0.78kVA(3.55A)
AMPERAGE	Rated 2.5A Starting 12.6A
ELECTRIC	Motor 365W(Power Factor 75%) Heater 371W
CONSUMPTION	Refrigeration 406W Defrost 371W
HEAT REJECTION	680W
POWER CORD	2.8m (AU Plug with Earth Wire)
EFFECTIVE CAPACITY	228L
OUTSIDE DIMENSIONS	1200mm(W) x 600mm(D) x 815 mm(H)
INSIDE DIMENSIONS	830mm(W) x 427mm(D) x 588mm(H)
EXTERIOR	Stainless Steel, Galvanized Steel (Rear/Bottom)
INTERIOR	Stainless Steel, ABS Plastic
INSULATION	Polyurethane Foam
INSULATION FOAM BLOWING AGENT	Cyclopentane
REFRIGERATION SYSTEM	Forced Air Circulation
DEFROST SYSTEM	Glass Tube Heater
COMPRESSOR	Hermetic 315W
CONDENSER	Fin and Tube type, Air-cooled
EVAPORATOR	Fin and Tube Type
REFRIGERANT	R404A/200g
TEMPERATURE CONTROL	Microprocessor controlled Adjustable from -25 to -7 C
DEFROST CONTROL	Microprocessor controlled
ELECTRIC CIRCUIT PROTECTION	Fuse, Earth Wire
COMPRESSOR PROTECTION	Motor Protector
CASTER	Urethane (76mm DIA, 115mm HIGH)
SHELF	4pcs.
WEIGHT	Net: 84kg (Gross: Approx. 89kg)
PACKAGE	Carton 1265mm(W) x 680mm(D) x 790mm(H)
ACCESSORIES	Drain Hose, Cable strap x 3
OPERATING CONDITIONS	Ambient Temperature: 5 ~ 43° C Voltage Range: Rated Voltage±6%

- *We reserve the right to make changes in specifications and design without prior notice.
1. Install the product properly in accordance with the instructions on location, electrical connections stated in the instruction manual provided. Allow 10mm extra space at the installation site to meet any installation requirements (additional spacing is also required for proper air flow and pipe connections).
 2. The heat rejection is based on the reached pull-down temperature at ambient temperature of 43° C and power supply of 220V 50Hz. The amperage and electric consumption are based on measurements at ambient temperature of 43° C and power supply of 220V 50Hz.
 3. The cabinet temperature range of -25 to -7° C is guaranteed at ambient temperature of 30° C.
 4. Product code: T021-C183 (For HLP)

HOSHIZAKI UNDERCOUNTER FREEZER FTC-120SNA-ML

APPROVED	CHECKED	DESIGNED	DRAWN	SCALE	1/20	TRIGONOMETRY
KAWAKAMI	WANG	SHEN	SHEN			
*	*	*****	DATE	2018.08.20	DRAWING NO.	D23437
APPROVED	DESIGNED	SYMBOL	DATE			SYMBOL