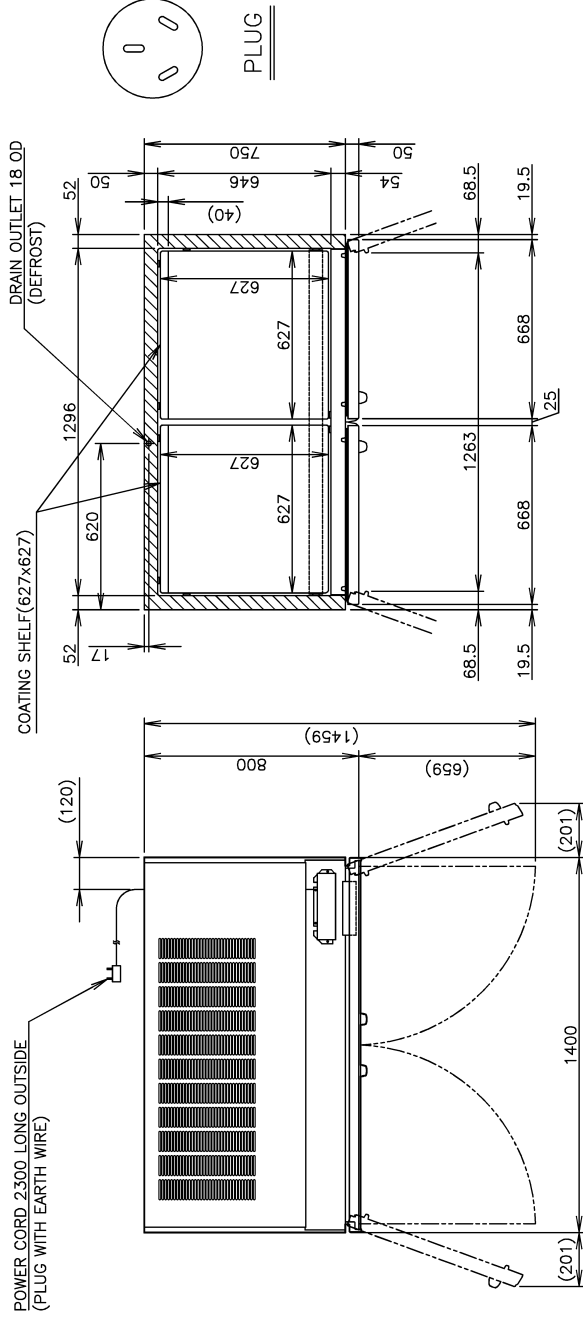


HOSHIZAKI



ITEM	Hoshizaki Reach-in Refrigerator
MODEL	HRE-147B-AHD-ML
POWER SUPPLY	1 Phase 220 - 240V 50Hz Capacity: 0.99kVA (4.5A)
AMPERAGE	Rated: 4.0A Starting: 14.8A
ELECTRIC CONSUMPTION	649W (Power Factor: *)
HEAT REJECTION	Heater: 422W Defrost: 422W *W
POWER CORD	2.3m (Plug with Earth Wire)
EFFECTIVE CAPACITY	1218L
OUTSIDE DIMENSIONS	1400mm(W) x 800mm(D) x 2015mm(H)
INSIDE DIMENSIONS	1296mm(W) x 646mm(D) x 1484mm(H)
EXTERIOR	Stainless Steel, Galvanized Steel(Rear, Bottom)
INTERIOR	Stainless Steel, ABS Plastic(Door)
INSULATION	Polyurethane Foam
INSULATION FOAM BLOWING AGENT	Cyclopentane
REFRIGERATION SYSTEM	Forced Air Circulation
DEFROST SYSTEM	Heater
COMPRESSOR	Hermetic 385W(Motor Size)
CONDENSER	Fin and Tube type, Air-cooled
EVAPORATOR	Fin and Tube type
REFRIGERANT	R404A
TEMPERATURE CONTROL	Microprocessor (Digital Temp. Indication) Adjustable from -6 to 12°C
DEFROST CONTROL	Microprocessor
ELECTRIC CIRCUIT PROTECTION	Earth Wire, Circuit Breaker
REFRIGERANT CIRCUIT PROTECTION	Motor Protector (Auto-reset)
CASTER	Urethane (76mm DIA, 115mm HIGH)
SHELF	8 pcs., Support Shelf 4pcs.
WEIGHT	167kg (Gross 202kg)
PACKAGE	Carton (Wooden Pallet) 1460mm(W)x900mm(D)x2075mm(H)
ACCESSORIES	Drain Hose x 1
OPERATING CONDITIONS	Ambient Temperature: 5 - 43°C Voltage Range: Rated Voltage ±6%

*We reserve the right to make changes in specifications and design without prior notice.

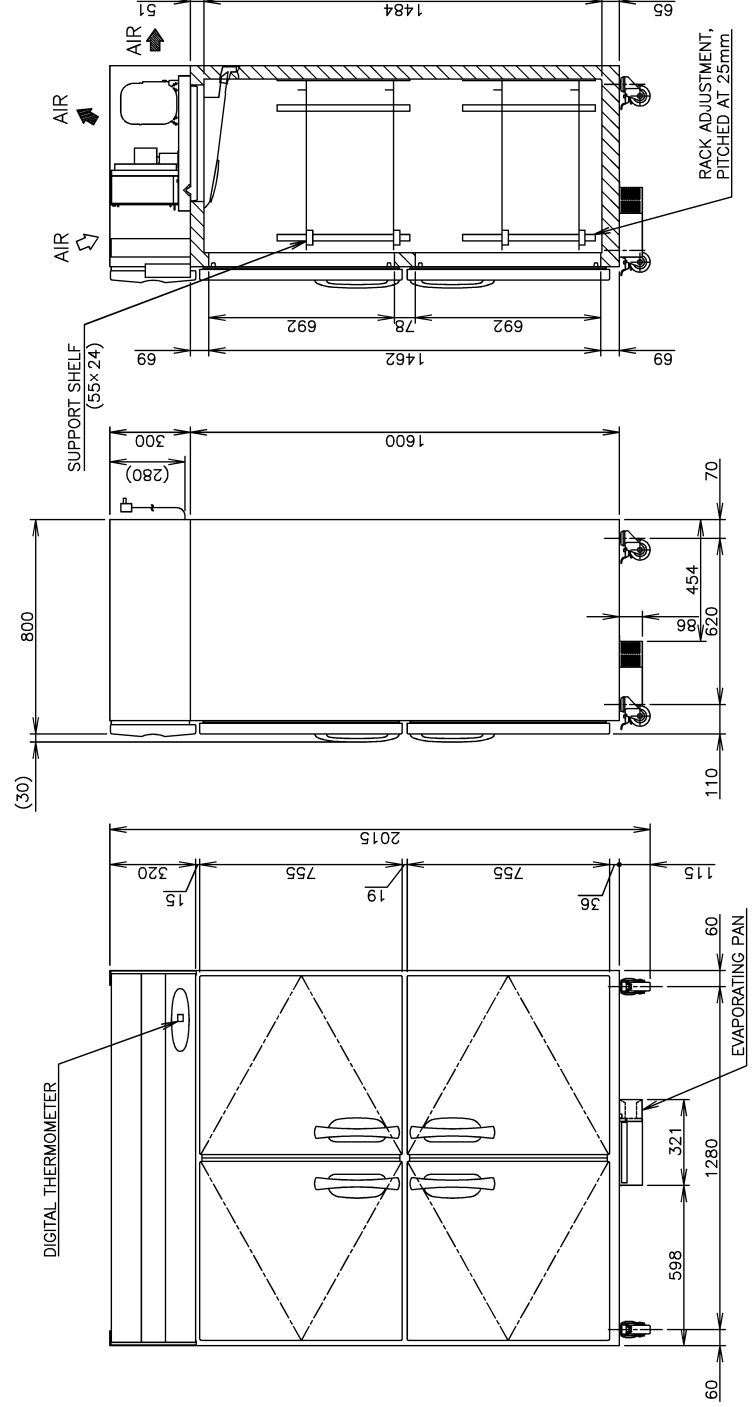
1. Install the product properly in accordance with the instructions on location, water supply/drain connections and electrical connections stated in the instruction and installation manuals provided.

Allow 10mm extra space at the installation site to meet any installation requirements (additional spacing is also required for proper air flow and pipe connections).

2. The heat rejection is based on the reached pulldown temperature at ambient temperature of 43°C.

3. Product Code: R321-C183(For HL)

*CUSTOMIZED
CASTER
EVAPORATING PAN
ML DOOR



HOSHIZAKI REACH-IN REFRIGERATOR HRE-147B-AHD-ML

APPROVED	CHECKED	DESIGNED	DRAWN	SCALE	1/20	TRIGONOMETRY
KAWAKAMI	WANG	LIANG	KAWAKAMI			SYMBOL
*	*	*****	*****	DATE	2018.09.21	DRAWING NO.
APPROVED (DESIGNED)	SYMBOL	DATE				D23632