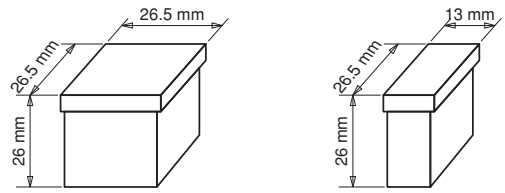
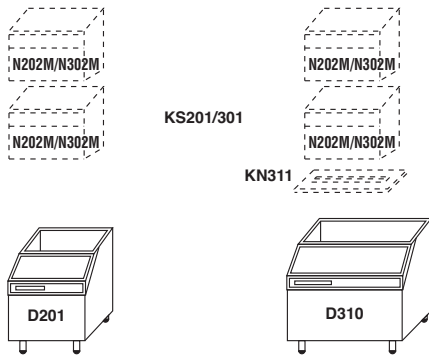
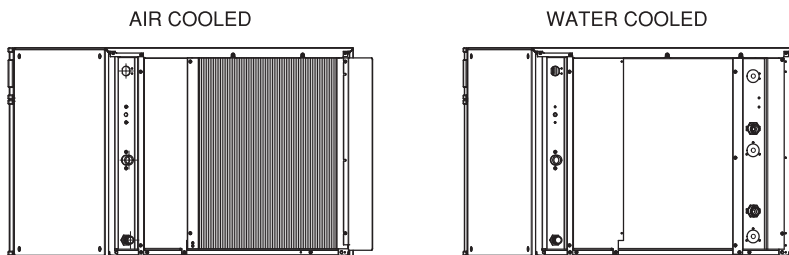
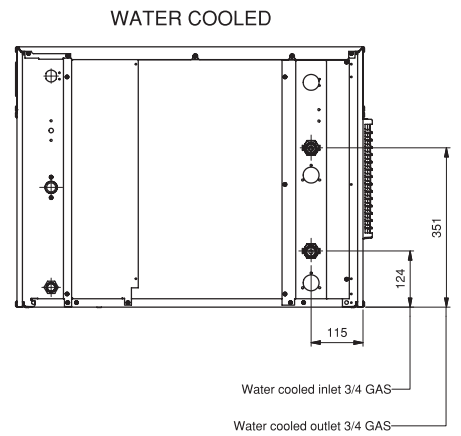
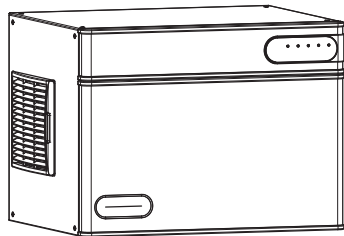
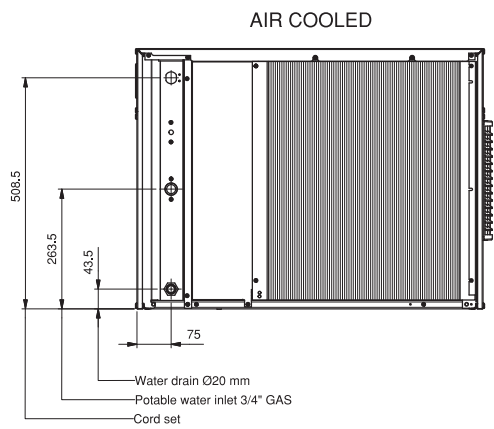
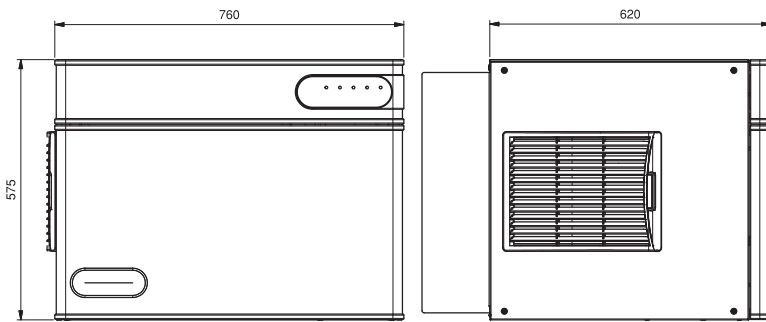


SPECIFICATIONS MODULAR CUBER N 302M



STANDARD HALF DICE



Model	Cond. unit	Finish	Comp. HP	Water req. lt/24 HR			
N302M - A N302M - W	Air Water	Stainless Steel	1 3/8	440 2750*			
Model	Basic electr.	amps	Start amps	watts	Electric power cons. Kwhx24 HR.	N. of wires	Amps Fuse
N302M - A N302M - W	220-240/50/1	6,2 5,2	32	1300 1050	28,63**	3x1,5 mm ²	16

NOTE. To keep your Modular cuber performing at its maximum capacity, it is necessary to perform periodic maintenance as outlined on the last pages of this manual.

Cubes per harvest: 234 Full - 468 Half
 * With water at 15°C
 ** t° air 32°C - t° water 21°C

FOR THE INSTALLER

INTRODUCTION

These instructions provide the specifications and the step-by-step procedures for the installation, start up and operation for the model N 202-302-402-502 Modular Cubers. The Modular Cubers are quality designed, engineering and constructed, and are thoroughly tested icemaking systems, providing the utmost in flexibility to fit the needs of a particular user.



INSTALLATION NOTE: Allow 15 cm. minimum space at sides and back for ventilation and utility connections.

STORAGE BIN

The models N 202-302-402-502 stack onto Icematic bin model D 201 - D 310.

Refrigerant R 404 A

Charge per nameplate rating.

STANDARD LEGS: Furnished with storage bin. Four legs screw into mounting sockets on cabinet base. Provide 18.5 cm. (7") minimum height including adjustable leveling foot.

IMPORTANT OPERATING REQUIREMENTS

	MINIMUM	MAXIMUM
Air Temperature	10°C (50°F)	40°C (100°F)
Water Temperature	5°C (40°F)	35°C (90°F)
Water Pressures	1 bar gauge	5 bar gauge
Electrical Voltage Variations Voltage rating specified on nameplate	-10%	+10%

Extended periods of operation exceeding these limitations constitutes misuse under the terms of Manufacturer's Limited Warranty, resulting in a loss of warranty coverage.

SELECT LOCATION

The first step in installing the equipment is to select the location. The purchaser of the unit will have a desired spot in mind, check out that spot to insure that it is:

- indoors, in an environment that does not exceed the air and water temperature limitations for the equipment.
- that the necessary utilities are available including the correct voltage electrical power.
- that there be space around the installed machine for service, 15 cm. minimum left, right, and rear for air-cooled models.

STORAGE BIN

The Icematic bins for these units are the D 201 and D 310. Other bins may be available with bin tops to vary the storage capacity. Lay the bin on its back, using cardboard from the carton to support it, screw in the legs.

Stand the bin upright, and correct any possible small tears in the machine mounting gasket with food grade silicone sealant.

ICE MACHINE

The use of a mechanical lift is recommended for lifting the uncrated icemaker onto the bin.

Remove front, top and sides panels.

Place the unit directly onto the bin, align it with the back of the bin. Locate the hardware package, take out two mounting screws, and use them to secure the icemaker to the two sides of the bin.

See illustration below.

Remove all shipping material as well as the masking tapes from the ice deflector/evaporator cover.



Remove first the ice deflector/evaporator cover then the masking tape from the ice thickness sensor.



AIR Baffle

Install on the back side of the machine the air baffle as per instruction provided with it.

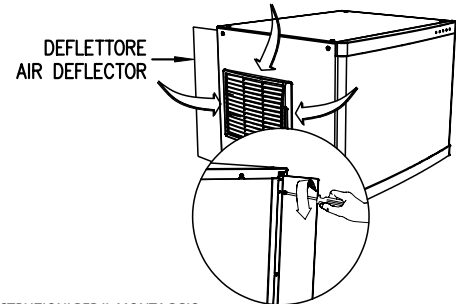
ATTENZIONE - ATTENTION - ACHTUNG

QUESTO DEFLETTORE VA INSTALLATO PER IMPEDIRE LA RICIRCOLAZIONE DELL'ARIA CALDA NEL CONDENSATORE

THIS DEFLECTOR HAS TO BE INSTALLED IN ORDER TO PREVENT HOT AIR RECIRCULATION IN THE CONDENSER

CE DEFLECTOUR DOIT ETRE INSTALLE' A FIN DE PREVENIR LA RECIRCULATION DE L'AIR CHAUD DANS LE CONDENSATEUR

DER DEFLEKTOR MUSS MAN INSTALLIEREN, UM DIE REZIRKULATION DES WARMES LUFT ZU VERHINDERN



ISTRUZIONI PER IL MONTAGGIO

SVITARE PARZIALMENTE LE DUE VITI EVIDENZIATE, POSTE NELLA PARTE POSTERIORE DELLA MACCHINA. QUINDI RIAVVITARLE FISSANDO IL DEFLETTORE

ASSEMBLY INSTRUCTIONS

PARTIALLY UNSCREW THE TWO SCREWS SHOWN, PLACED ON THE MACHINA BACK SIDE. THEN SCREW THEM AGAIN, FIXING THE DEFLECTOR.

INSTRUCTIONS DE MONTAGE

DEVISSEZ PARTIELLEMENT LES DEUX VIS EVIDENCIEES, PLACEES SUR LA PARTIE POSTERIEURE DE LA MACHINE. ENSUITE REVISEZ-LES, EN E FIXANT LE DEFLECTEUR

INSTALLATIONSANWEISUNGEN

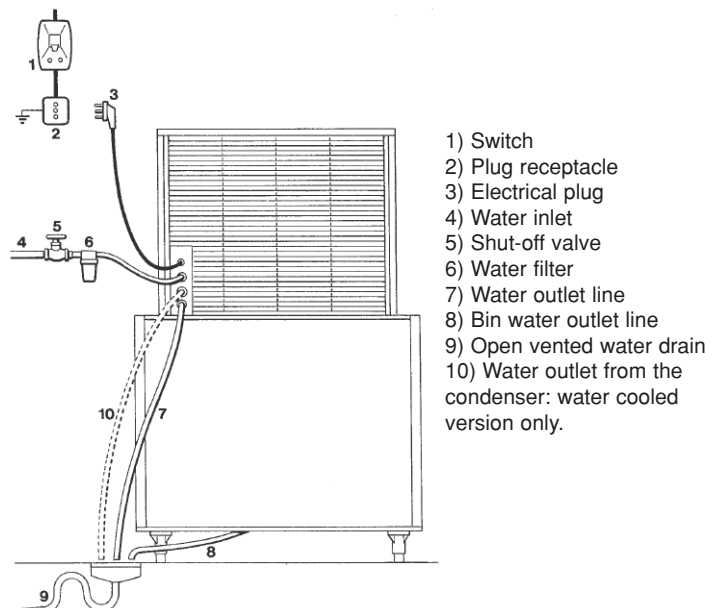
DIE ZWEI AUSGEZEICHNETE SCHRAUBEN, DIE AN DIE HINTERSEITE SICH BEFINDEN, AUSDREHEN. DANN WIEDERSCHRAUBEN, UND DER DEFLEKTOR FESTMACHEN.

Cod. 19263094/0 Rev.00

FOR THE PLUMBER

CONFORM TO ALL APPLICABLE CODES WATER INLET

AIR-COOLED MODELS: The recommended water supply is cold water connected to the - 3/4" gas - male fitting at the back of the cabinet. Install a hand valve near the machine to control the water supply.



When choosing the water supply for the N Cuber, consideration should be given to:

- A. Length of run.
- B. Water clarity and purity.
- C. Adequate water supply pressures.

Since water is the most important single ingredient in producing ice you cannot over emphasize the three items listed above. Low water pressure, below 1 bar may cause malfunction, of the icemaker unit. Water containing excessive minerals will tend to produce cloudy colored ice cubes, plus scale build-up on parts in the water system.

Heavily chlorinated water can be controlled using charcoal or carbon filters.

DRAINS

AIR-COOLED MODELS: There is one 20 mm. dia sump drain fitting at the back of the cabinet.

Insulations in high humidity areas is recommended.

The ideal drain receptacle would be a trapped and vented floor drain.

WATER-COOLED MODELS: Besides the above drain, a separate condenser drain must be run.

Connect it to the - 3/4" gas - condenser drain connection at the back of the cabinet.

STORAGE BIN: A separate gravity type drain needs to be run, similar to the air-cooled sump drain. Insulation of this drain line is recommended.

FOR THE ELECTRICIAN

ELECTRICAL CONNECTIONS

The unit come equipped with an electrical cord for power supply. The lead wires must be connected to an electrical plug that corresponds to the local electrical codes and requirements or to a separate two poles disconnect box with opening to the contacts of about 3 millimeters.

The disconnect box should be placed close to the selected ice maker location to be easily and prompt reached.

Undersized wiring or improperly installed electrical circuit will result in major problems and malfunctions.

Voltage variations should not exceed ten percent.

IMPORTANT: All plumbing and electrical connections must be made by licensed plumbers and electricians, this one must follow the electrical specifications printed on the ice maker nameplate.

NOTE: All ICEMATIC Cubers require a neutral wire and a solid earth ground wire to prevent possible severe Electrical Shock Injury to individuals or extensive damage to equipments.

FINAL CHECK LIST

1. Is the cabinet/bin level?
2. Is the cuber in a location where ambient temperatures are a minimum of 10°C (50-degrees F.) all year around and to not exceed a maximum of 40°C. (100°F.).
3. Is there at least a 15 cm. clearance behind and around the cabinet for all connections and for proper air circulation?
4. Have all electrical and piping connections been made?
5. Has the electrical power supply wiring been properly connected and the voltage tested and checked against the nameplate rating? Has the unit properly grounded.
6. Is the water supply line shutoff valve installed and opened and has the inlet water supply pressure been checked to insure a minimum of 1 bar without exceeding a maximum of 5 bar.
7. Have the compressor holddown bolts been checked to be sure the compressor is snug on the mounting pads.
8. Check all refrigerant lines and conduit lines to guard against vibration and possible failure.
9. Has the cuber and the bin been wiped clean with clean damp cloths?
10. Has the owner/user been given the User Manual and instructed on how to operate the icemaker and the importance of periodic maintenance?
11. Has the owner/user been given the name and telephone number of the Authorized ICEMATIC Distributor or Service Agency serving him?
12. Has the Manufacturer's Registration Card been properly filled out?
Check for correct Model and Serial Numbers from nameplate, then mail the completed card to the Manufacturer.