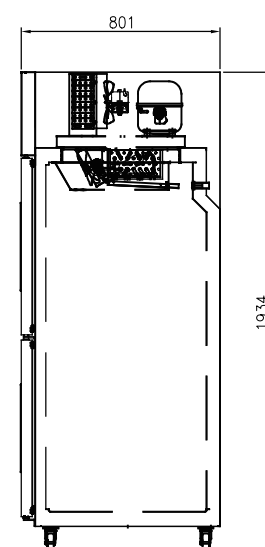
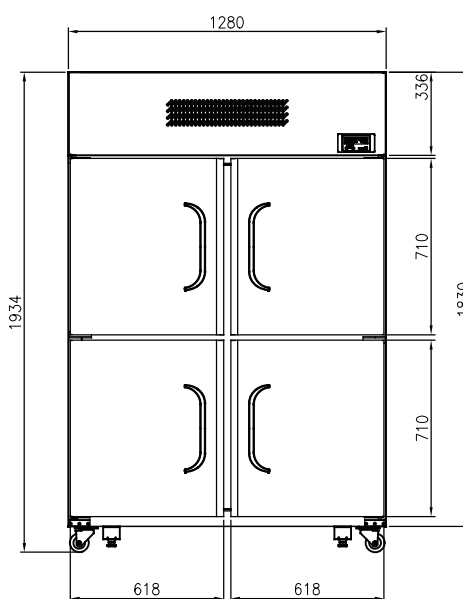
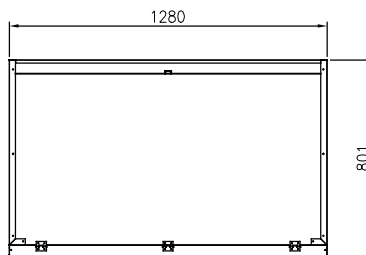


REFRIGERATION

TOP MOUNT UPRIGHT

KTM-45RS4 / KTM-45FS4



FEATURES

- Auto-closing doors & stopper
- Door pressure release device
- Magnetic door gasket
- Door sensor with magnetic switch
- Door locks
- Extra-large internal capacity
- Digital temperature control & monitor system
- 3" casters (brakes at front)
- LED lighting interior
- Stainless steel finished top, front, sides and doors
- PE coated sturdy wire shelves

TEMPERATURE

- Fridge: 0°C ~ 5°C
- Freezer: -18°C

OPTIONAL MODELS

- GN pan compatible model
- 4" or 5" casters

Model	Capacity (l)		Exterior Dimension (mm)			Net Weight (kg)	Power Supply	Amps	Voltage (V/Hz/Ø)	Watt	HP	Refrigerant	No. Door	Type
	Gross	Net	W	D	H									
KTM-45RS4	1,034	960	1,280	801	1,934	155	10A	4.0	240/50/1	400	3/8	R-134a	4	Fridge
KTM-45FS4	1,034	960	1,280	801	1,934	165	10A	6.0	240/50/1	1350(D:820)	3/4	R-404A	4	Freezer

* Exterior height includes 3" for caster or leg height.
 * Design and specifications subject to change without notice
 * Actual shipping weight may differ due to extra packing materials for product protection.