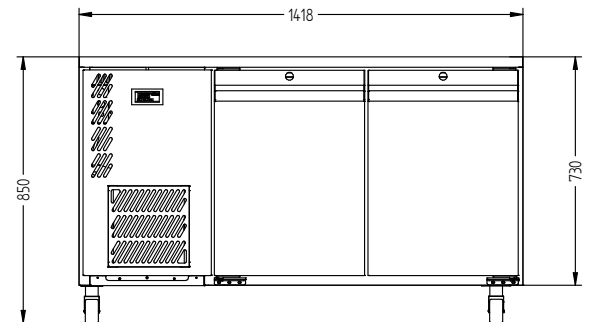
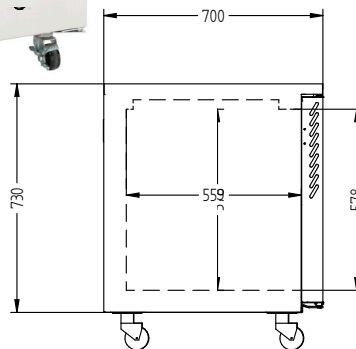
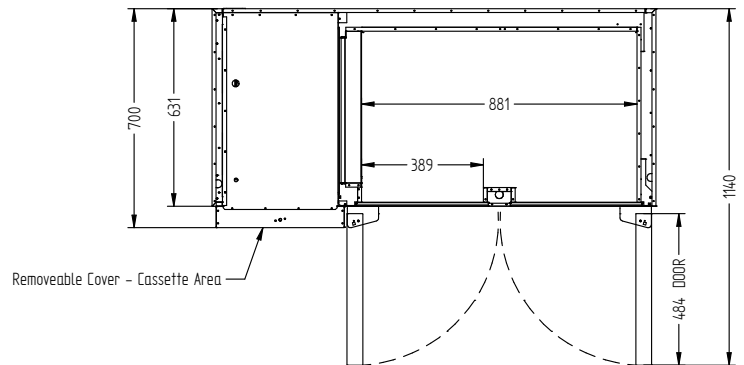


# LO2USS-HC



CATEGORY	HYDROCARBON
RANGE	<b>Opal</b>
UNIT	FREEZER
TYPE	SELF CONTAINED
DOORS	2



## SPECIFICATIONS

CAPACITY LITRES	350
TEMPERATURE	-18°C / -22°C
FRONT BREATHING	YES
DIMENSIONS - W X D X H (ON CASTORS) MM	1418 W x 700 D x 850 H
WEIGHT UNPACKED (KG)	150

## STANDARD INCLUSIONS \*\*\*

DOOR TYPE	SD (Solid Door) Optional: DR (Drawer)
FINISH (INTERIOR AND EXTERIOR EXCLUDING REAR AND UNDER)	SS (Stainless Steel)
SHELVES/DOOR	2

## ELECTRICAL

POWER SUPPLY	10 amp
RUNNING AMPS	2.58

## GAS TYPE

REFRIGERANT	R290
-------------	------