

NEO™ 310 Undercounter Ice Machines

50Hz UR-0310A UD-0310A UY-0310A



U-310 Undercounter Ice Machine



Power

Delay

Clean

Full Bin

Service



NEO is a new level of Performance, Intelligence and Convenience

- Industry Leading Performance
- Interactive, Easy-to-use Keypad
- Delay Ice Production for 4, 12, or 24 Hours
- Patented Easy Clean Technology
- Tool-Free Foodzone
- Corrosion & Finger Print Resistant Composite Exterior
- Modular Design for Simple Service
- Available LuminIce™ Growth Inhibitor



.95 x 2.86 x 2.22 cm

= 100%



2.22 x 2.22 x 2.22 cm

= 100%



2.86 x 2.86 x 2.22 cm

= 100%

COMPANY WITH
QUALITY SYSTEM
CERTIFIED BY DNV
= ISO 9001:2008 =



Manitowoc Deutschland GmbH
Auf der Weih 11
35745 Herborn
Germany
Tel: 0 27 72 - 5805 0
Fax: 0 27 72 - 5805 70
E-mail: info@manitowoc-de.com
www.manitowoc-de.com

Manitowoc Foodservice Iberia, S.A.U.
C/ Textil, 6 Pol. Ind. La Ferreria - 08110
Montcada i Reixac Barcelona
Spain
Tel: (+34) 902 20 10 69
Fax: (+34) 93 348 15 09
E-mail: fraubcn@frau.es
www.manitowocfs.es

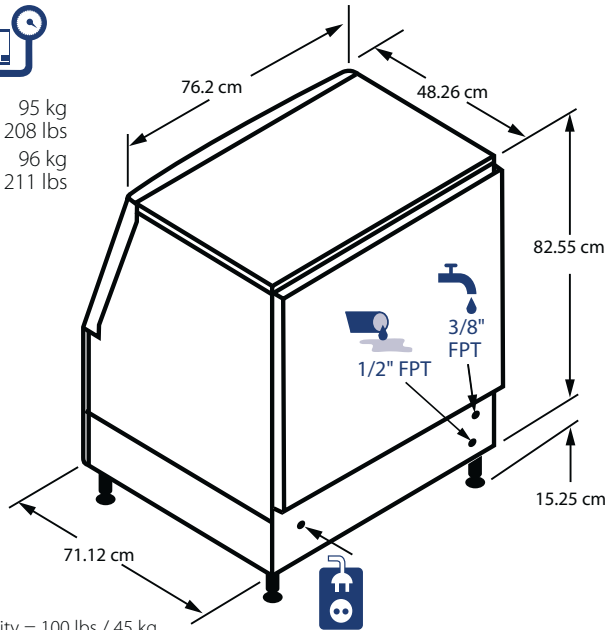
Manitowoc Foodservice UK Limited
Ashbourne House,
The Guildway, Old Portsmouth Road
Guildford GU31 1LR
UK
Tel: +44 (0) 1483 464 972
Fax: +44 (0) 8453 011 462
E-mail: fsuk.sales@manitowoc.com
www.manitowocfoodservice.com/uk

Manitowoc EMEA
www.manitowocice.com/emea
Manitowoc China
www.manitowoc.com.cn
Manitowoc Latin America
www.manitowoclatam.com



U-310

95 kg
 208 lbs
 96 kg
 211 lbs



Bin capacity = 100 lbs / 45 kg

Minimum		Maximum	
4.4°C 40°F		43.3°C 110°F	
7.2°C 45°F		32.2°C 90°F	
20psi 138 kPA		80psi 551 kPA	
10.7 9.9	A		
		15 Amps	

Model	Compressor	Ice	24h		[kWh] – 100 kg	Faucet	
			21°/10°C 70°/50°F	32°/21°C 90°/70°F		[l/h]	[gal/h]
UR-0310A			120 kg	93 kg	15.6	7.5	2.0
			265 lbs	205 lbs			
UD-0310A			132 kg	103 kg	16.2	8.4	2.2
			290 lbs	227 lbs			
UY-0310A			135 kg	107 kg	17.6	8.7	2.3
			299 lbs	235 lbs			

*Add "E" for WRAS approved models (ie. ID0606AE). WRAS models not NSF listed.

5071A_50hz ©2013 Manitowoc-9/13 Specifications subject to change.

Manitowoc Deutschland GmbH
 Auf der Weih 11
 35745 Herborn
 Germany
 Tel: 0 27 72 - 5805 0
 Fax: 0 27 72 - 5805 70
 E-mail: info@manitowoc-de.com
www.manitowoc-de.com

Manitowoc Foodservice Iberia, S.A.U.
 C/ Textil, 6 Pol. Ind. La Ferreria - 08110
 Montcada i Reixac Barcelona
 Spain
 Tel: (+34) 902 20 10 69
 Fax: (+34) 93 348 15 09
 E-mail: fraubcn@frau.es
www.manitowocfs.es

Manitowoc Foodservice UK Limited
 Ashbourne House,
 The Guildway, Old Portsmouth Road
 Guildford GU31 1LR
 UK
 Tel: +44 (0) 1483 464 972
 Fax: +44 (0) 8453 011 462
 E-mail: fsuk.sales@manitowoc.com
www.manitowocfoodservice.com/uk

Manitowoc EMEA
www.manitowocice.com/emea
Manitowoc China
www.manitowoc.com.cn
Manitowoc Latin America
www.manitowoclatam.com