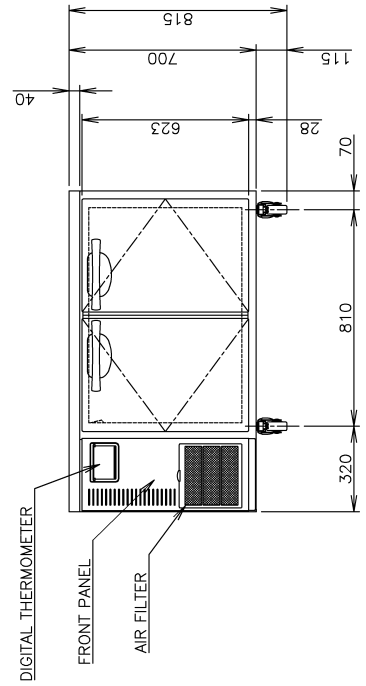
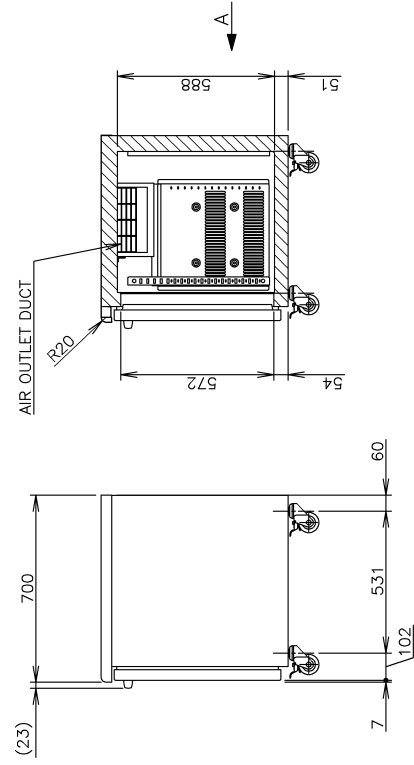
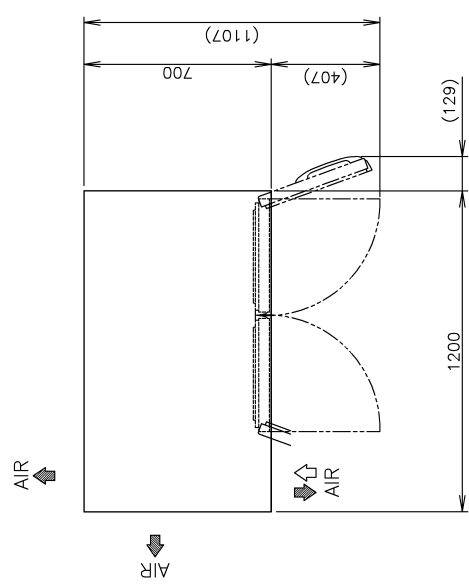
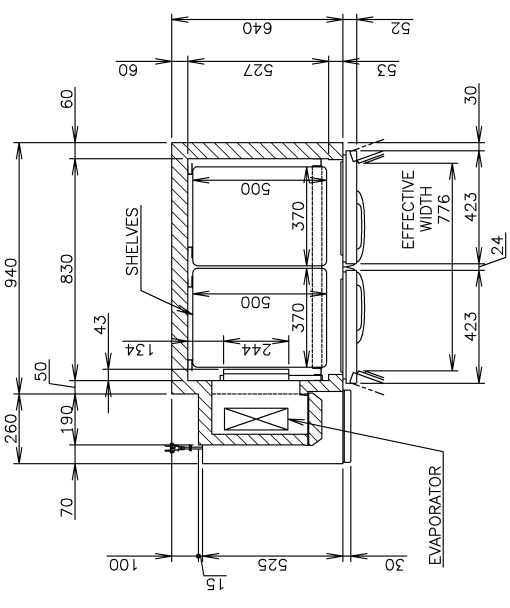
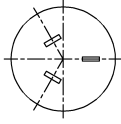
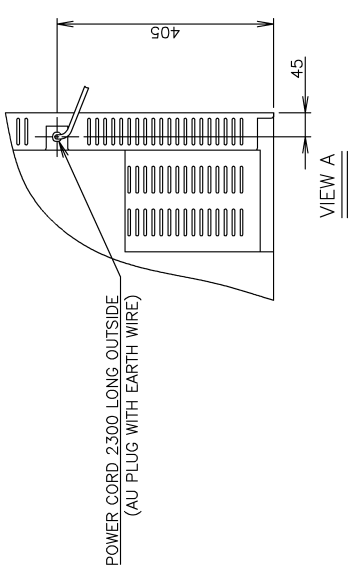


HOSHIZAKI

ITEM	Hoshizaki Undercounter Refrigerator
MODEL	RTE-120SDA-GN-ML
POWER SUPPLY	1 Phase 220-240V 50Hz Capacity: 0.43kVA(1.9A)
AMPERAGE	Rated 1.4A
ELECTRIC CONSUMPTION	Motor 195W(Power Factor60%) Heater 192W Refrigeration 222W Defrost 199W
HEAT REJECTION	*W
POWER CORD	2.3m (AU Plug with Earth Wire)
EFFECTIVE CAPACITY	265L
OUTSIDE DIMENSIONS	1200mm (W) x 700mm (D) x 815mm (H)
INSIDE DIMENSIONS	830mm (W) x 527mm (D) x 588mm (H)
EXTERIOR	Stainless Steel, Galvanized Steel (Rear/Bottom)
INTERIOR	Stainless Steel, ABS Plastic
INSULATION	Polyurethane Foam
INSULATION FOAM BLOWING AGENT	Cyclopentane
REFRIGERATION SYSTEM	Forced Air Circulation
DEFROST SYSTEM	Glass Tube Heater
COMPRESSOR	Hermetic 110W
CONDENSER	Fin and Tube type, Air-cooled
EVAPORATOR	Fin and Tube Type
REFRIGERANT	R134a
TEMPERATURE CONTROL	Microprocessor controlled Adjustable from -6 to 12° C
DEFROST CONTROL	Microprocessor controlled
ELECTRIC CIRCUIT PROTECTION	Fuse, Earth Wire
COMPRESSOR PROTECTION	Motor Protector
CASTER	Urethane (76mm DIA, 115mm HIGH)
SHELF	4pcs.
WEIGHT	Net: 83kg (Gross: Approx. *kg)
PACKAGE	Carton(Woody Base) 1265mm (W) x 780mm (D) x 990mm (H)
ACCESSORIES	Shelf Clip x 12, Support Shelf x 2
OPERATING CONDITIONS	Ambient Temperature: 5-43° C Voltage Range: Rated Voltage±6%

- *We reserve the right to make changes in specifications and design without prior notice.
1. Install the product properly in accordance with the instructions on location, electrical connections stated in the instruction manual provided. Allow 10mm extra space at the installation site to meet any installation requirements (additional spacing is also required for proper air flow and pipe connections).
 2. The heat rejection is based on the reached pull-down temperature at ambient temperature of 43° C and power supply of 230V 50Hz. The amperage and electric consumption are based on measurements at ambient temperature of 43° C and power supply of 230V 50Hz.
 3. The cabinet temperature range of -6 to 12° C is guaranteed at ambient temperature of 30° C.
 4. Product code: T039-D009 (For HL)

*Customized
Caster with stopper H=115mm
Power Cord Australian 3 Pin Plug
ML Door



HOSHIZAKI UNDERCOUNTER REFRIGERATOR RTE-120SDA-GN-ML (FOR HL)

APPROVED	CHECKED	DESIGNED	DRAWN	SCALE	1/20	TRIGONOMETRY
KAWAKAMI	WANG	LIANG	KAWAKAMI			
*	*	*****	*****	DATE	2018.08.02	DRAWING NO. D2.3.391
APPROVED	DESIGNED	SYMBOL	DATE			SYMBOL