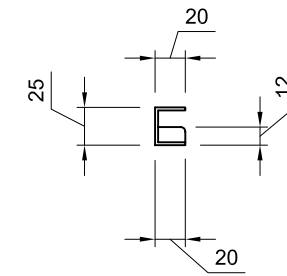
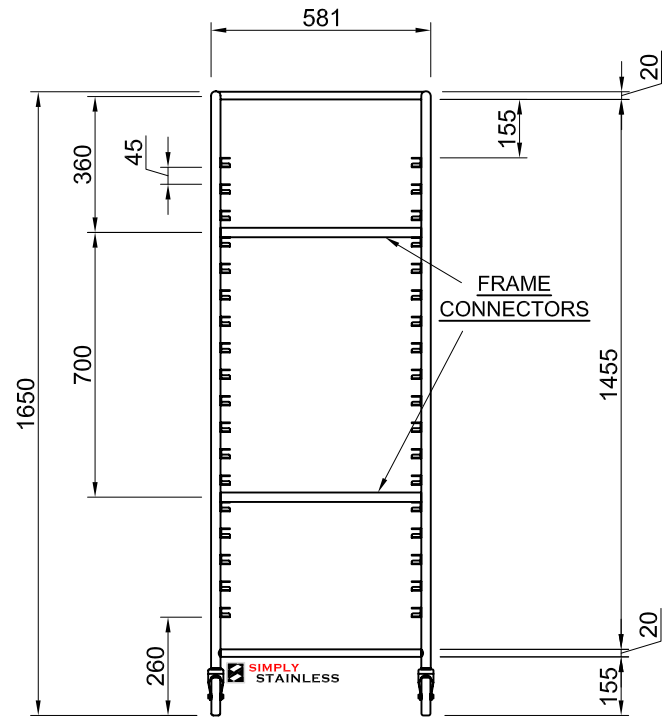


PLAN

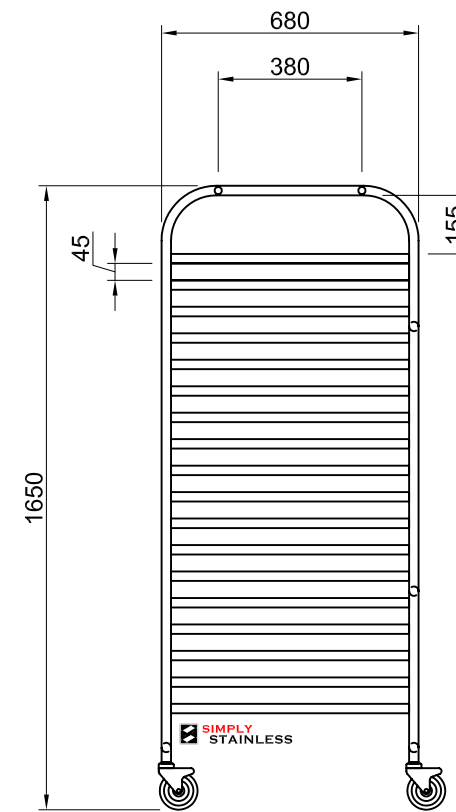


RUNNERS PROFILE

SCALE 1:5



FRONT ELEVATION



SIDE ELEVATION

16 - 2/1



www.simplystainless.com  
Modular Sinks Tables and Shelving

CI GROUP PTY LTD COPYRIGHT ©

This drawing is the property of CI GROUP PTY LTD trading as SIMPLY STAINLESS, and it may not be copied, reproduced or modified in whole or in part, without prior written permission of CI GROUP PTY LTD.

**16 - 2/1 GASTRONORM TROLLEY**

SCALE 1:20

CONSTRUCTION NOTES:

1. RUNNERS MADE FROM 1.2mm STAINLESS STEEL.
2. FRAME MADE FROM Ø25mm STAINLESS STEEL TUBE.
3. FEET ARE Ø100mm SWIVEL CASTORS, 2x LOCKING & 2x NON-LOCKING.