

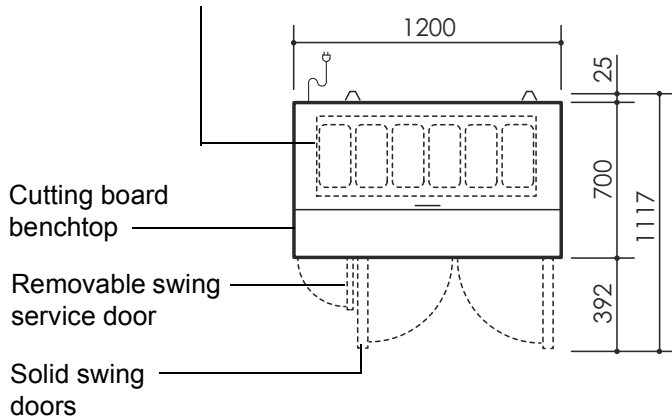
specifications

BC120-S

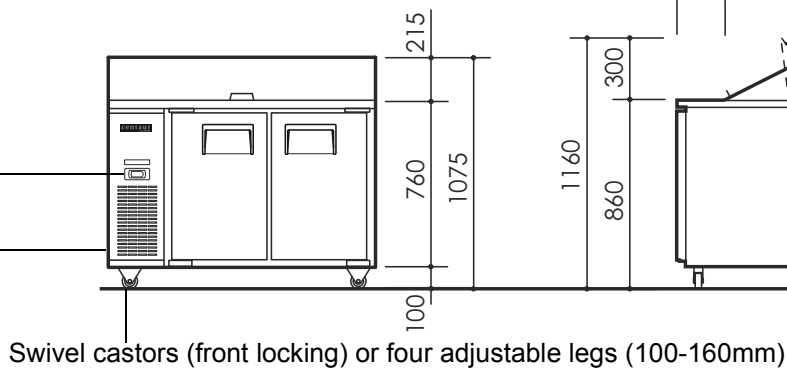
centaur
from SKOPE

Centaur Two Door Salad/Pizza Counter Type: BC120-S-2RROS-E

Supplied with 6 x 1/3 pans (176mm wide x 325mm deep)
with one hinged pan cover



CAREL 'easy'
electronic
controller
Side mounted
integral
refrigeration
unit



CABINET DIMENSIONS

	External	Internal
Height:	1075mm	610mm
Width:	1200mm	850mm
Depth:	725mm	530mm
Floor area:	0.9m ²	

* Depth of 725mm includes 25mm rear spacer

Copyright © 2008 SKOPE Industries Limited

CABINET SPECIFICATIONS

Refrigeration system:	Electronically controlled, side mounted, integral refrigeration unit
Electronic controller:	CAREL 'easy' electronic controller
Refrigerant:	R134a / 290g
Nominal capacity:	221 Watts
Cabinet internal volume:	275 litres
Climatic Class:	4
Operating temperature:	0°C to +4°C up to 4 hours up to 30°C ambient (with pan cover raised)
Drainage:	No plumbing required
Electrical:	230-240 Volts a.c. 50 Hz, 2.82 Amps
Internal lighting:	One 25 Watt light bulb (OSRAM PYGMY CL 25 E14) - Door activated
Power cord:	2m flexible power cord with 3-pin plug
Doors:	Two solid, stainless steel, self-closing doors - LH and RH hinged
Internal door opening size:	Two door openings: 580mm high x 365mm wide
Shelves:	One adjustable shelf per door: 410mm wide x 345mm deep
Weight:	110 kg

SKOPE Industries Limited reserve the right to alter specifications without notice.

PSS0046 Rev. 7.0 Oct. 2015



SKOPE INDUSTRIES LIMITED



New Zealand Freephone: 0800 947 5673, Fax: (03) 983 3896. Australian Freephone: 1800 121 535, Freefax: 1800 121 533

Email: enquiry@skope.co.nz Website: www.skope.co.nz