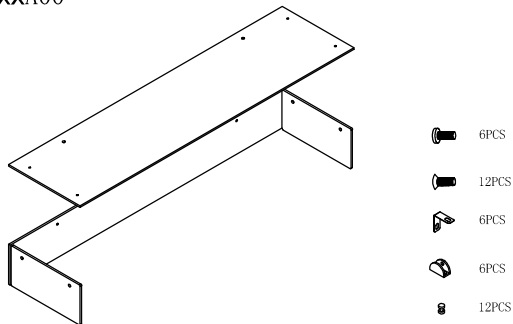


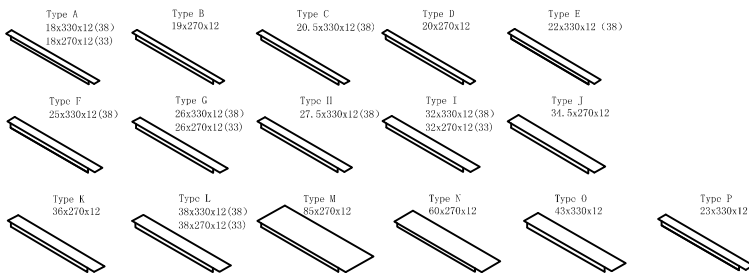
**KITGSxxxxA00**



**KITSW3AA0A00**

- 6PCS
- 12PCS
- 6PCS
- 6PCS
- 12PCS

**KITSRxxxxA00**



MODEL	CODE	DESCRIPTION
VRX10/33	KITGS3AA0A00 KITSR3AA0A00	949x330x8 N° 2 SPACER TYPE M
VRX10/38	KITGS3AA1A00 KITSR3AA1A00	949x390x8 N° 2 SPACER TYPE P
VRX12/33	KITGS3AA2A00 KITSR3AA2A00	1194x330x8 N° 4 SPACER TYPE G
VRX12/38	KITGS3AA3A00 KITSR3AA3A00	1194x390x8 N° 3 SPACER TYPE L
VRX13/33	KITGS3AF6A00 KITSR3AF6A00	1294x350x8 N° 4 SPACER TYPE N
VRX13/38	KITGS3AF7A00 KITSR3AF7A00	1294x390x8 N° 4 SPACER TYPE O
VRX14/33	KITGS3AA4A00 KITSR3AA4A00	1394x330x8 N° 5 SPACER TYPE I
VRX14/38	KITGS3AA5A00 KITSR3AA5A00	1394x390x8 N° 5 SPACER TYPE A
VRX15/33	KITGS3AA6A00 KITSR3AA6A00	1494x330x8 N° 6 SPACER TYPE B
VRX15/38	KITGS3AA7A00 KITSR3AA7A00	1494x390x8 N° 5 SPACER TYPE C
VRX16/33	KITGS3AA8A00 KITSR3AA8A00	1594x330x8 N° 6 SPACER TYPE K
VRX16/38	KITGS3AA9A00 KITSR3AA9A00	1594x390x8 N° 6 SPACER TYPE E
VRX18/33	KITGS3AB0A00 KITSR3AB0A00	1794x330x8 N° 7 SPACER TYPE L
VRX18/38	KITGS3AB1A00 KITSR3AB1A00	1794x390x8 N° 7 SPACER TYPE F
VRX19/33	KITGS3AB2A00 KITSR3AB2A00	1894x330x8 N° 8 SPACER TYPE J
VRX19/38	KITGS3AB3A00 KITSR3AB3A00	1894x390x8 N° 7 SPACER TYPE I
VRX20/33	KITGS3AB4A00 KITSR3AB4A00	1994x330x8 N° 9 SPACER TYPE D
VRX20/38	KITGS3AB5A00 KITSR3AB5A00	1994x390x8 N° 8 SPACER TYPE H
VRX22/33	KITGS3AB6A00 KITSR3AB6A00	2144x330x8 N° 10 SPACER TYPE A
VRX22/38	KITGS3AB7A00 KITSR3AB7A00	2144x390x8 N° 9 SPACER TYPE G
VRX25/33	KITGS3AG0A00 KITSR3AG0A00	
VRX25/38	KITGS3AG1A00 KITSR3AG1A00	N° 10 SPACER TYPE G
VRX SERIES	KITFT3AA0A00 KITSR3AA0A00	N° 4 FEET SCREWS SET

**KITFT3AA0A00**



DATE: 2015/7/7	VERSION: A0	DESCRIPTION		DESIGN BY:	
		SCALE	MODEL	Q. TY	REMARKS:
		1:1			
MATERIAL: ST1/ST2		VRXxx/33/38 EXPLODED VIEW			
DESIGN BY: Camilla					
APPROVED BY: Alberto	CATEGORY	TYPE	GROUP	PART N°	
DATA: 2015/7/7	EV	3AA0	A0	S050	