

Diamond Star

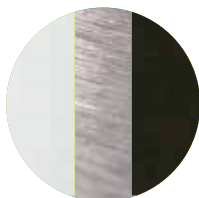
self contained



Electronic controller



Top mounted



Choice of finishes



LED lighting



10 Amp power

An Australian made cabinet with a choice of optional glass door types. A proven performer in many areas of operation. Available in one door or two door models with a generous 1100 litre capacity in the latter—and your choice of refrigerator or freezer.

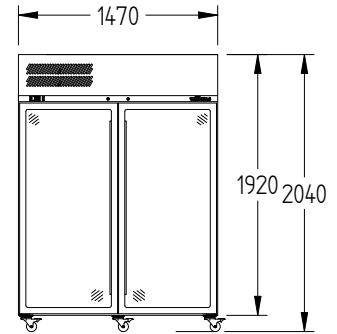
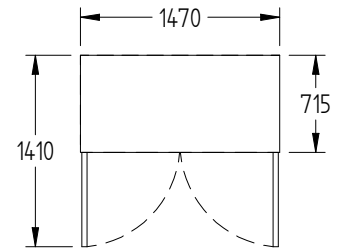
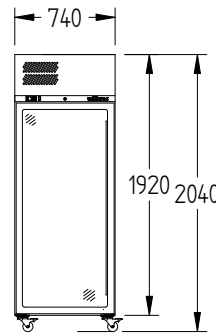
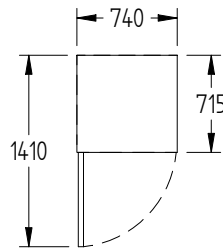
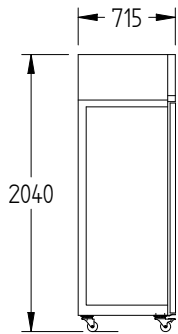


Advantages

- 43°C ambient rating for hard working environment (38°C for glass door freezers)
- Coolsmart electronic controller for energy efficiency and even temperatures
- Top mounted refrigeration system for simple maintenance and easy servicing
- Waste heat recovery vaporiser system—no need for external drain
- Long life and energy efficient 12 volt LED lights
- Threaded castors allow simple leg changeover if required
- Four sets of plastic coated shelves per door
- Peace of mind auto defrost (electric on freezer models)
- Designed and built to international quality standards for reliability and performance
- Optional double glazed heated doors for reduced condensation and clear view

**STANDARD HINGE ON SINGLE DOOR MODEL
(WHEN FACING FRONT OF UNIT):**

- GLASS DOOR-LHH
- SOLID DOOR-RHH



MODEL		1 DOOR	2 DOOR
H (Refrigerator +1°/+4°C)	White, Glass Door	HDS1GDCB	HDS2GDCB
H (Refrigerator +1°/+4°C)	White, Solid Door	HDS1SDCB	HDS2SDCB
L (Freezer -18°/-22°C)	White, Glass Door	LDS1GDCB	LDS2GDCB
L (Freezer -18°/-22°C)	White, Solid Door	LDS1SDCB	LDS2SDCB
H (Refrigerator +1°/+4°C)	Stainless Steel, Glass Door	HDS1GDSS	HDS2GDSS
H (Refrigerator +1°/+4°C)	Stainless Steel, Solid Door	HDS1SDSS	HDS2SDSS
L (Freezer -18°/-22°C)	Stainless Steel, Glass Door	LDS1GDSS	LDS2GDSS
L (Freezer -18°/-22°C)	Stainless Steel, Solid Door	LDS1SDSS	LDS2SDSS

SPECIFICATIONS

CAPACITY LITRES	520	1100
DIMENSIONS - W X D X H (ON CASTORS) MM	740 W x 715 D x 2040 H	1470 W x 715 D x 2040 H
WEIGHT UNPACKED (KG)	160	250

STANDARD INCLUSIONS ***

DOOR TYPE	GD (Glass Door), SD (Solid Door), Optional: PT (Pass Thru)	
FINISH (INTERIOR AND EXTERIOR, EXCLUDES REAR AND UNDER, STAINLESS STEEL INTERNAL FLOOR)	CB (White), CBB (Black), SS (Stainless Steel)	
SHELVES/DOOR	4	4

ELECTRICAL

POWER SUPPLY	10 amp	10 amp	
FRIDGE MODELS - GLASS DOORS	RUNNING AMPS	3.8	4.8
FRIDGE MODELS - SOLID DOORS	RUNNING AMPS	3.8	4.7
FREEZER MODELS - GLASS DOORS	RUNNING AMPS	4.3	9.2
FREEZER MODELS - SOLID DOORS	RUNNING AMPS	3.3	6

GAS TYPE

REFRIGERANT	FRIDGE MODELS	R134a	R134a
	FREEZER MODELS	R404a	R404a

REFRIGERATION WATTAGES FOR OPTIONAL REMOTE UNITS

FRIDGE MODELS - GLASS DOORS	620 @ -5°C SST	940 @ -5°C SST
FRIDGE MODELS - SOLID DOORS	440 @ -5°C SST	630 @ -5°C SST
FREEZER MODELS - GLASS DOORS	1050 @ -30°C SST	1650 @ -30°C SST
FREEZER MODELS - SOLID DOORS	580 @ -30°C SST	1100 @ -30°C SST

*** For **Diamond Star OPTIONS** see page 19

Prices do not include GST. Prices and specifications are subject to change without notice.