

FEATURES

- *Stainless steel interior and exterior*
- *Gas: R404A for Freezers*
- *Insulation Foam: C5H10,ODP, Zero emissions*
- *43°C ambient working temperature*
- *Castors as standard*
- *Come with wired mid shelf*
- *Auto Defrost function*
- *Fan-forced cooling system*
- *All European parts,Embraco EBM fan motor*
- *Carel digital controller*
- *Allow 100 mm clearance for air ventilation*
- *Shelf rails support GN Pans*

EPF3422



EPF3432



EPF3442



Optional



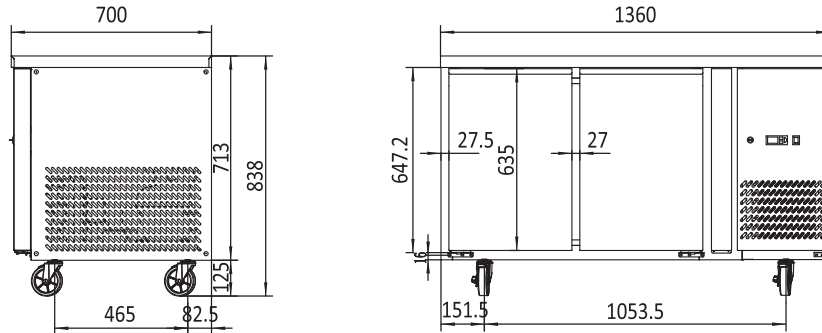
Drawer price:
\$495/SET
FOR TWO DRAWERS PER DOOR
 (For cooling table only)

INFORMATION	EPF3462	EPF3472	EPF3482
Capacity	280L	450L	560L
Power	340W	400W	550W
Voltage	220~240V/50Hz	220~240V/50Hz	220~240V/50Hz
Working Temp	-22°C ~ -18°C	-22°C ~ -18°C	-22°C ~ -18°C
Ambient Temp	43°C	43°C	43°C
Dimensions(mm)	W1360 x D700 x H838,95kg	W1795 x D700x H838,120kg	W2230 x D700 x H838,145kg
Packaging Dimensions(mm)	W1414 x D765 x H872,119kg	W1849 x D765 x H872,145kg	W2284 x D765 x H872,176kg
RRP	\$2,839.00	\$3,169.00	\$4,510.00

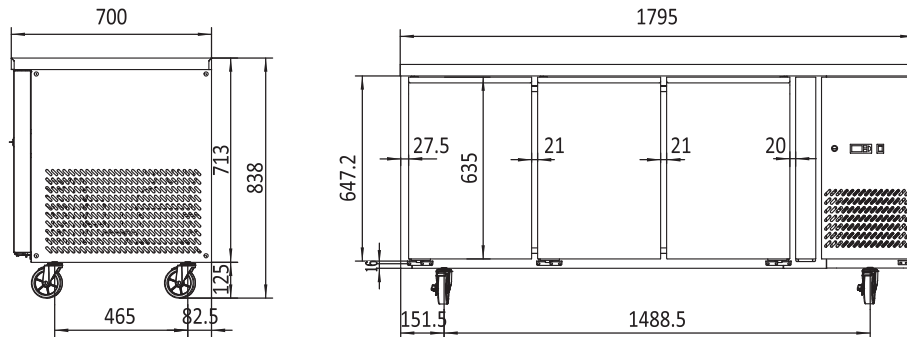


2 YEARS WARRANTY ON ALL PARTS & LABOUR
 * EXTRA 2 YEARS WARRANTY ON PARTS WHEN YOU REGISTER WITH US ONLINE

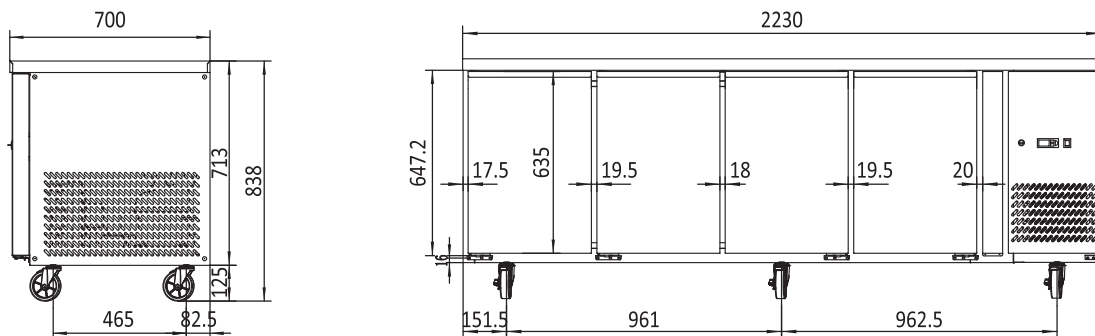
EPF3462



EPF3472



EPF3482



2 YEARS WARRANTY ON ALL PARTS & LABOUR
 * EXTRA 2 YEARS WARRANTY ON PARTS WHEN YOU REGISTER WITH US ONLINE