

# Garnet

self contained



Electronic controller



Top mounted



GN pan compatible



Cylindrical locks



10 Amp power

An Australian made cabinet with a choice of a 1 or 2 door gastronorm models and various options. A proven performer in many areas of operation. A generous 1270 litre capacity in the two door and your choice of refrigerator or freezer.

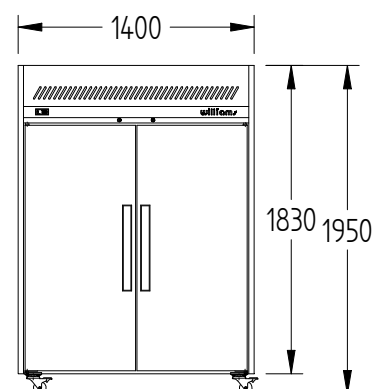
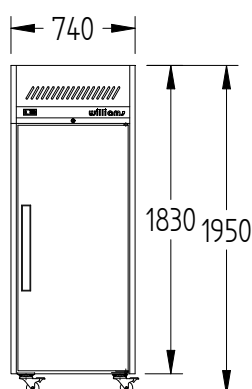
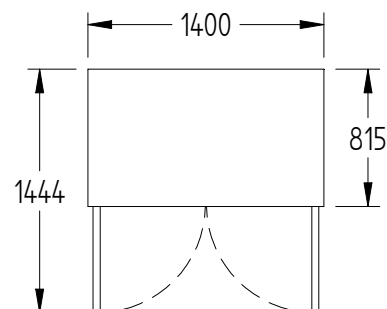
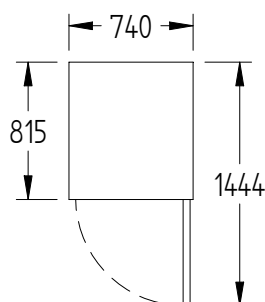
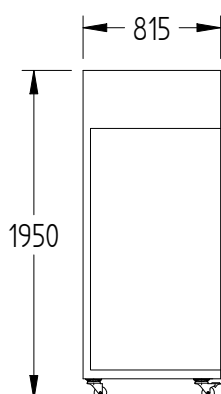


## Advantages

- 43°C ambient rating for hard working environments
- Coolsmart electronic controller for energy efficiency and even temperatures
- Easy clean covered internal liner
- Top mounted refrigeration system for simple maintenance and easy servicing
- Waste heat recovery vaporiser system—no need for external drain
- Threaded castors allow simple leg changeover if required
- Four adjustable 2/1 Gn plastic coated shelves/door
- Accommodates 2/1 gastronorm pans on shelves or dedicated anti tilt tray slides
- Cylindrical locks fitted as standard
- Peace of mind auto defrost (electric on freezer models)
- Designed and built to international quality standards for reliability and performance
- 75 mm spacing between slides

STANDARD HINGE ON SINGLE DOOR MODEL  
(WHEN FACING FRONT OF UNIT):

- GLASS DOOR-LHH
- SOLID DOOR-RHH



MODEL	1 DOOR	2 DOOR
<b>H</b> (Refrigerator +1°/+4°C)	<b>HG1SDSS</b>	<b>HG2SDSS</b>
<b>L</b> (Freezer -18°/-22°C)	<b>LG1SDSS</b>	<b>LG2SDSS</b>
<b>HL</b> (Refrigerator +1°/+4°C Freezer -18°/-22°C)	<b>HLG1SDSS</b>	<b>HLG2SDSS</b>

## SPECIFICATIONS

<b>CAPACITY LITRES</b>	610	1270
<b>DIMENSIONS - W X D X H (ON CASTORS) MM</b>	740 W x 815 D x 1950 H	1400 W x 815 D x 1950 H
<b>WEIGHT UNPACKED (KG)</b>	170	220

## STANDARD INCLUSIONS \*\*\*

<b>DOOR TYPE</b>	Standard: <b>SD</b> (Solid Door) Optional: <b>GD</b> (Glass Door), <b>PT</b> (Pass Thru), <b>HD</b> (Half Door)	
<b>FINISH (INTERIOR AND EXTERIOR EXCLUDING REAR AND UNDER)</b>	<b>SS</b> (Stainless Steel)	
<b>SHELVES/DOOR</b>	4	4

## ELECTRICAL

<b>POWER SUPPLY (DUAL TEMP MODEL REQUIRES 2)</b>	10 amp	10 amp	
<b>FRIDGE MODELS</b>	<b>RUNNING AMPS</b>	3.8	5.3
<b>FREEZER MODELS</b>	<b>RUNNING AMPS</b>	4.3	5.4
<b>DUAL TEMP MODELS</b>	<b>RUNNING AMPS</b>	6.5	8.0

## GAS TYPE

<b>REFRIGERANT</b>	<b>FRIDGE MODELS</b>	R134a	R134a
	<b>FREEZER MODELS</b>	R404a	R404a

## REFRIGERATION WATTAGES FOR OPTIONAL REMOTE UNITS

<b>FRIDGE MODELS - SOLID DOORS</b>	470 @ -5°C SST	670 @ -5°C SST
<b>FREEZER MODELS - SOLID DOORS</b>	630 @ -30°C SST	900 @ -30°C SST
<b>DUAL TEMP FRIDGE SIDE - SOLID DOORS</b>	310 @ -5°C SST	450 @ -5°C SST
<b>DUAL TEMP FREEZER SIDE - SOLID DOORS</b>	400 @ -30°C SST	600 @ -30°C SST

\*\*\* For **Garnet OPTIONS** see page 27

Prices do not include GST. Prices and specifications are subject to change without notice.