

# Sapphire

self contained



Electronic controller



Top mounted



GN pan compatible



Cylindrical locks



10 Amp power

An Australian made cabinet with a choice of a 1 or 2 door gastronorm models and various options. A proven performer in many areas of operation. A generous 1270 litre capacity in the two door and your choice of refrigerator or freezer.

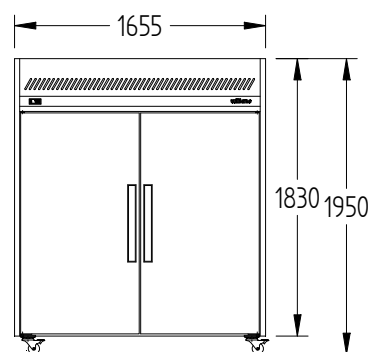
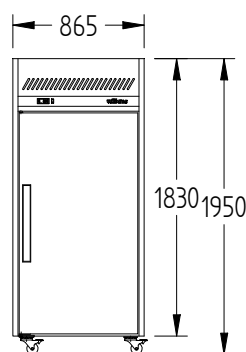
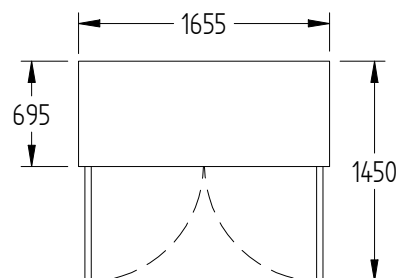
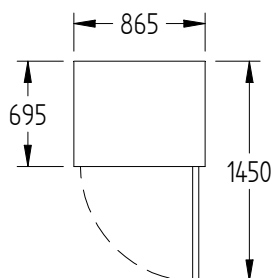
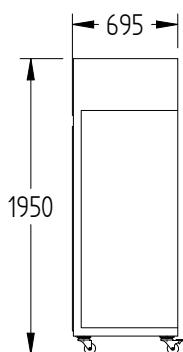


## Advantages

- 43°C ambient rating for hard working environments
- Coolsmart electronic controller for energy efficiency and even temperatures
- Easy clean coved internal liner
- Top mounted refrigeration system for simple maintenance and easy servicing
- Waste heat recovery vaporiser system—no need for external drain
- Threaded castors allow simple leg changeover if required
- Four adjustable 2/1 Gn plastic coated shelves/door
- Accommodates 2/1 Gn pans on shelves or dedicated anti tilt tray slides
- Peace of mind auto defrost (electric on freezer models)
- Designed and built to international quality standards for reliability and performance
- 75 mm spacing between slides

**STANDARD HINGE ON SINGLE DOOR MODEL  
(WHEN FACING FRONT OF UNIT):**

- GLASS DOOR-LHH
- SOLID DOOR-RHH



MODEL	1 DOOR	2 DOOR
H (Refrigerator +1°/+4°C)	HS1SDSS	HS2SDSS
L (Freezer -18°/-22°C)	LS1SDSS	LS2SDSS

## SPECIFICATIONS

CAPACITY LITRES	610	1270
DIMENSIONS - W X D X H (ON CASTORS) MM	865 W x 695 D x 1950 H	1655 W x 695 D x 1950 H
WEIGHT UNPACKED (KG)	160	220

## STANDARD INCLUSIONS \*\*\*

DOOR TYPE	Standard: <b>SD</b> (Solid Door)    Optional: <b>GD</b> (Glass Door), <b>PT</b> (Pass Thru), <b>HD</b> (Half Door)	
FINISH (INTERIOR AND EXTERIOR EXCLUDING REAR AND UNDER)	<b>SS</b> (Stainless Steel)	
SHELVES/DOOR	4	4

## ELECTRICAL

POWER SUPPLY	10 amp	10 amp
FRIDGE MODELS      RUNNING AMPS	3.8	5.3
FREEZER MODELS    RUNNING AMPS	4.3	5.4

## GAS TYPE

REFRIGERANT	FRIDGE MODELS	R134a	R134a
	FREEZER MODELS	R404a	R404a

## REFRIGERATION WATTAGES FOR OPTIONAL REMOTE UNITS

FRIDGE MODELS - SOLID DOORS	470 @ -5°C SST	670 @ -5°C SST
FREEZER MODELS - SOLID DOORS	630 @ -30°C SST	900 @ -30°C SST

\*\*\* For **Sapphire OPTIONS** see page 27

Prices do not include GST. Prices and specifications are subject to change without notice.