

# Thermowell

self contained



Digital thermometer



Hinged lid



Accepts a variety of gastronorm pans



Stainless steel finish



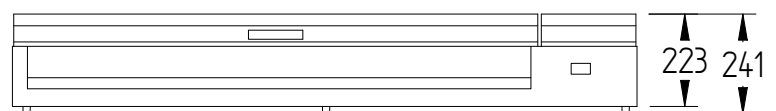
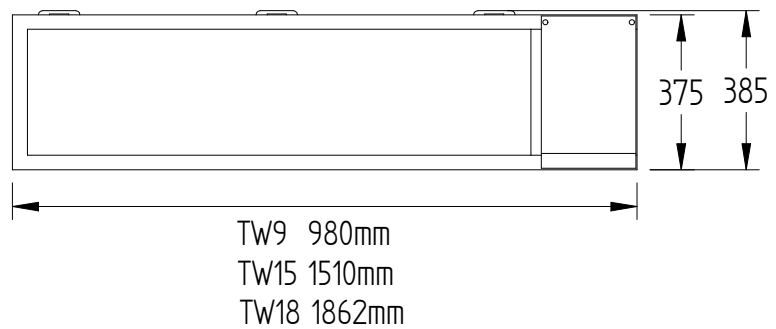
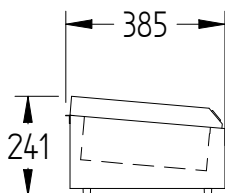
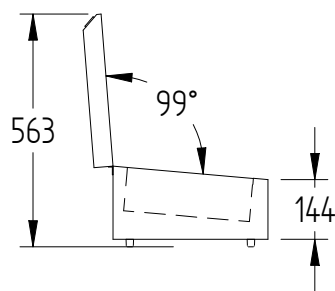
10 Amp power

The Thermowell is a refrigerated Prep Well, designed to accommodate 1/3 or 1/6 gastronorm pans. The versatile units can be wall mounted or free-standing. It's also designed with a hinged lid - to stay open during food preparation.



## Advantages

- Designed and engineered to operate efficiently in environments up to 32°C
- Digital thermometer and adjustable thermostat
- Stainless steel exterior and interior
- Hinged pan lid (pans excluded)
- Designed to accommodate 1/3 pans
- Fitted with rubber feet offering nonslip placement
- Removable unit cover for easy access for servicing and maintenance



MODEL		TW9	TW15	TW18
H (Refrigerator +1°/+4°C)	Stainless Steel	TW9	TW15	TW18
<b>SPECIFICATIONS</b>				
<b>CAPACITY (GN PANS EXCLUDED)</b>		4 X 1/3 X 100 mm Gn pans	7 X 1/3 X 100 mm Gn pans	9 X 1/3 X 100 mm Gn pans
<b>DIMENSIONS - W X D X H MM</b>		980 W x 385 D x 241 H	1510 W x 385 D x 241 H	1862 W x 385 D x 241 H
<b>WEIGHT UNPACKED (KG)</b>		30	40	50
<b>FINISH (INTERIOR AND EXTERIOR EXCLUDING UNDER)</b>		SS (Stainless Steel)		
<b>ELECTRICAL</b>				
<b>POWER SUPPLY</b>		10 amp	10 amp	10 amp
<b>FRIDGE MODELS</b>	<b>RUNNING AMPS</b>	1.3	1.3	1.3
<b>GAS TYPE</b>				
<b>REFRIGERANT</b>	<b>FRIDGE MODELS</b>	R134a	R134a	R134a

Prices do not include GST. Prices and specifications are subject to change without notice.