



<https://www.commercialfridgefreezer.com.au/f-e-d-sc-7-1200l-h-cabinet-with-left-sink/>

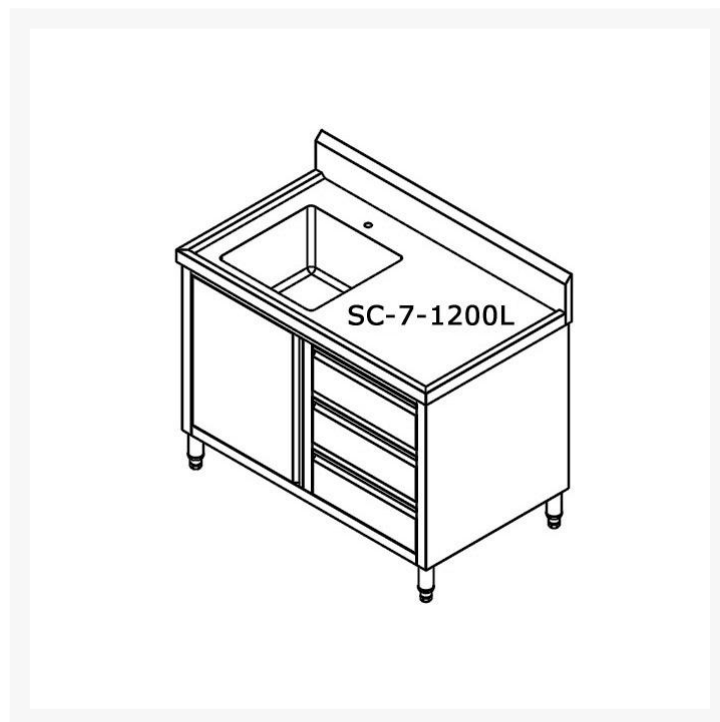
Modular Systems SC-7-1200L-H Cabinet with Left Sink

\$1,496.00 +GST

[View more Product Details](#)

[Add to Cart](#)

[Request a Quote](#)



SC-7-1200L-H Cabinet with Left Sink is durable and a great addition to your kitchen set-up. Perfect choice for your commercial needs. Ideal for open kitchens with punched bowls, 90mm diameter drain hole. 1.2mm thick top & frame built from SUS304 grade stainless steel with 2 doors and 3 drawers.

Description

Modular Systems SC-7-1200L-H Cabinet with Left Sink

- Great for open and commercial kitchens
- Allows customer to keep kitchens tidy and clutter free
- 0.9mm thick doors & drawers built with stainless steel
- Top & frame built from SUS304 grade hairline finished stainless steel

<https://www.commercialfridgefreezer.com.au/f-e-d-sc-7-1200l-h-cabinet-with-left-sink/>

- 150mm splashback
- Two right sinks included
- This kitchen tidy cabinet pre-assembled with all welded joints
- 300mm (H) x 450mm (W) x 450mm (D) punched bowls
- 900mm (H) x 1200mm (W) x 700mm (D) dimensions
- 90mm diameter drain hole

Additional Information

Country of Manufacture	Asia
External Colour	Stainless Steel, Hairline Finish
Model	SC-7-1200L-H
Brand	Modular Systems
Warranty	2 Years Parts Only
Warranty Registration	https://www.foodequipment.com.au/product-registration
Leg / Caster information	Four legs
Other Details	Stainless Steel
Packaged Dimensions (mm)	780mm (W) x 1560mm (D) x 1230mm (H)
About the Product	F.E.D SC-7-1200L-H Stainless Steel Three Drawers cabinet with left sink is a commercial quality cabinet we sell for the best price. Buy F.E.D SC-7-1200L-H solid door cabinet and stainless steel kitchen modular systems with Australia wide delivery.
Related Models	F.E.D SC-7-1200R-H CABINET WITH RIGHT SINK
Bowl Size (mm)	300mm (H) x 450mm (W) x 450mm (D)
Frame Tube	1.2
External Dimensions (mm)	1200mm (W) x 700mm (D) x 1050mm (H)
Manufacturer's Suggested Retail Price	\$1,760.00