



<https://www.commercialfridgefreezer.com.au/f-e-d-sc-7-1500r-h-cabinet-with-right-sink/>

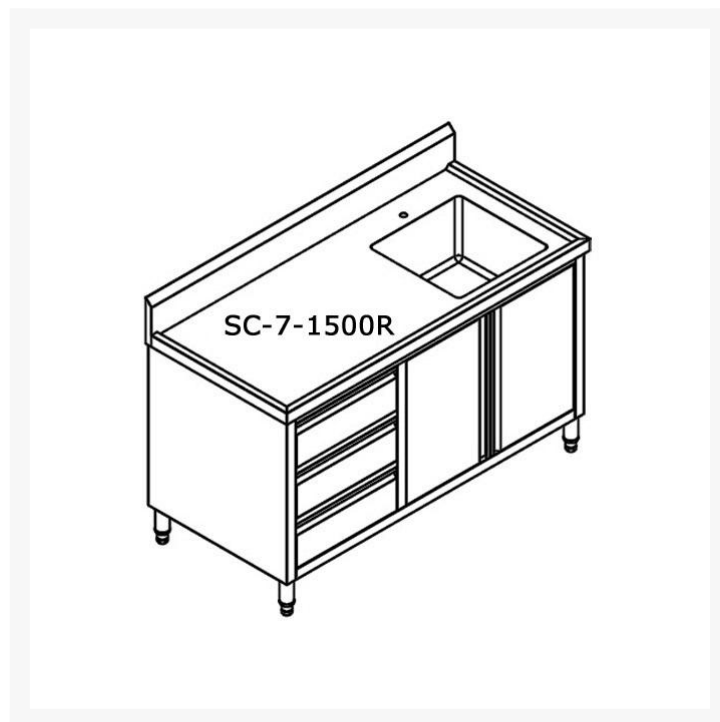
# Modular Systems SC-7-1500R-H Cabinet with Right Sink

**\$1,827.50** +GST

[View more Product Details](#)

[Add to Cart](#)

[Request a Quote](#)



SC-7-1500R-H Cabinet with Right Sink is a perfect stainless steel workbench cabinet for your commercial needs. It includes 3 drawers, punched bowls, 150mm splashback, top & frame made of SUS304 grade hairline finished stainless steel, pre-mounted with all welded joints.

## Description

# Modular Systems SC-7-1500R-H Cabinet with Right Sink

- 150mm splashback included
- 900mm (H) x 1500mm (W) x 700mm (D) dimensions
- 90mm diameter drain hole
- Pre-mounted with all welded joints

<https://www.commercialfridgefreezer.com.au/f-e-d-sc-7-1500r-h-cabinet-with-right-sink/>

Commercial Fridge and Freezer Sales Australia. All product images are provided for illustration purposes only. All specifications are subject to manufacturer changes without notice, so please check on the manufacturer's website for current product data.

- One right sink included
- 0.9mm thick doors & drawers built with stainless steel
- Top & frame built from SUS304 grade hairline finished stainless steel
- Allows customer to keep kitchens tidy and clutter free
- 300mm (H) x 450mm (W) x 450mm (D) punched bowls
- Ideal for open and commercial kitchens

## Additional Information

Country of Manufacture	Asia
External Colour	Stainless Steel, Hairline Finish
Model	SC-7-1500R-H
Brand	Modular Systems
Warranty	2 Years Parts Only
Warranty Registration	<a href="https://www.foodequipment.com.au/product-registration">https://www.foodequipment.com.au/product-registration</a>
Leg / Caster information	Four legs
Other Details	Stainless Steel
Packaged Dimensions (mm)	750mm (W) x 1800mm (D) x 1120mm (H)
About the Product	F.E.D SC-7-1500R-H Stainless Steel Three Drawers cabinet with right sink is a commercial quality cabinet we sell for the best price. Buy F.E.D SC-7-1500R-H solid door cabinet and stainless steel kitchen modular systems with Australia wide delivery.
Related Models	<a href="#">F.E.D SC-7-1500L-H CABINET WITH LEFT SINK</a>
Bowl Size (mm)	300mm (H) x 450mm (W) x 450mm (D)
Frame Tube	1.2
External Dimensions (mm)	1500mm (W) x 700mm (D) x 1050mm (H)
Manufacturer's Suggested Retail Price	\$2,150.00